



Instruction Manual

OUTDOOR UMBRELLA

Item No. UC706A-9FT



For product assistance &
missing or replacement parts:
WE CAN HELP



Support@aeoutdoor.com

www.aeoutdoor.com

Important Safety Information

Please retain these instructions for future reference.

- For residential use only. Place the umbrella on a stable, level surface.
- Anchoring required. Add base weights totaling at least 100 lb (45 kg) or bolt to solid ground. Do not assemble on sandy, muddy, or loose soil.
- Weather. Do not use in snow, heavy rain, thunderstorms, or strong/gusty winds.
- Pre-use check. Tighten all bolts, screws, and knobs before each use.
- Children & pets. Keep clear during setup and operation.
- If the crank becomes difficult to turn, stop and check if the rope has come off the pulley; forcing it may damage the rope or handle.
- If any parts are missing or damaged, stop using the product until repaired or replaced.
- Do not use this product in any manner inconsistent with the manufacturer's instructions; doing so may void the warranty.

Storage

- Close the canopy when the umbrella is not in use.
- Store it in a dry, sheltered area, away from the weather.
- If necessary, cover it with a furniture cover or tarp.

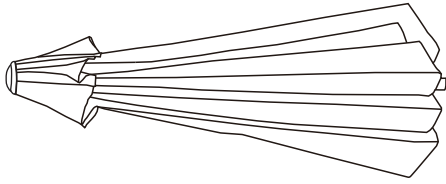
Cleaning

- Wipe with a soft cloth dampened with warm water and mild detergent.
- Do not use abrasive cleaners or solvents.

Before First Use

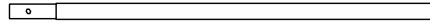
- Hold the canopy bundle upside down and shake gently to separate the ribs; pull apart carefully if needed.
- Slowly turn the crank to open the canopy; ensure no ribs are stuck together.

Component List



A X1

Umbrella
(includes strap)

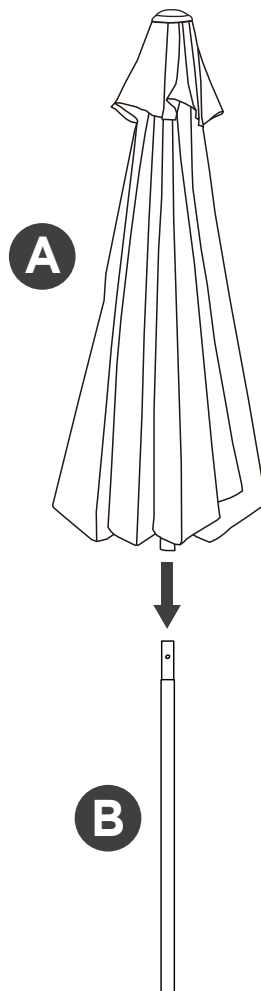


B X1

Pole

Assembly Instructions

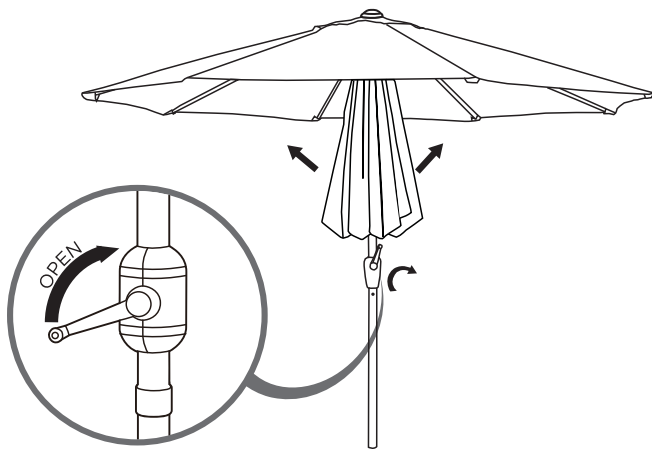
Step 1



Insert the upper pole (A) into the lower pole (B) until it locks into place.

Instructions For Use

Step 2



Slowly turn the crank to open the canopy.

⚠ NOTE

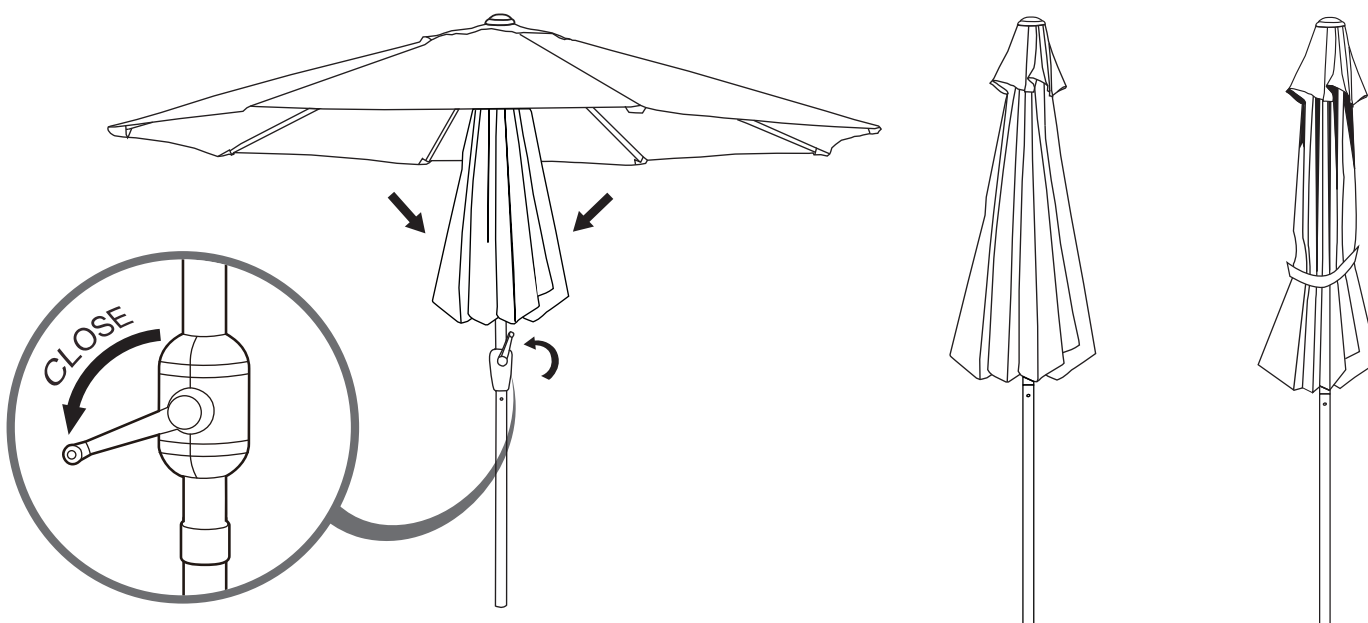
Use with a weighted base only. Recommended base weight: at least 100 lb (45 kg)

Step 3



Press the button to tilt the canopy left or right.

Step 4



Slowly turn the crank to close the canopy. Gather the canopy and secure it with the strap.

Important Safety & Use Instructions

Patio Umbrella User Guide

- The umbrella base is not included. Do not use the umbrella without a compatible base.
- Do not use the umbrella in inclement weather, such as heavy snow, heavy rain, thunderstorms, or strong winds.
- Always remove the umbrella from its base when not in use.
- If using the umbrella with a table, insert it through the hole in the center of the table.
- Do not use this product in any manner inconsistent with the manufacturer's instructions; doing so may void the warranty.

Should you have any issues, please don't hesitate to contact us.

Email: Support@aeoutdoor.com



www.aeoutdoor.com