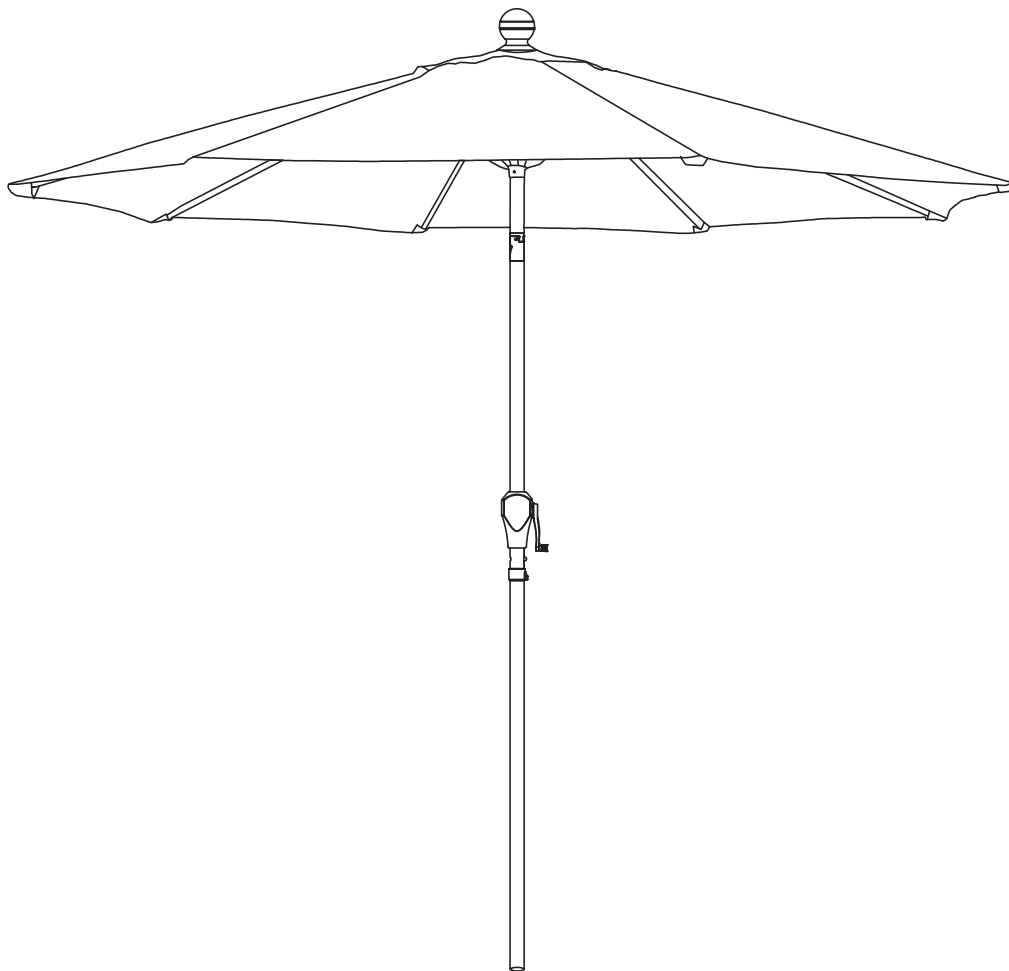




## Instruction Manual

# CRANK OPERATIONAL AUTO TILT UMBRELLA

Item No. UA030A-9FT



For product assistance &  
missing or replacement parts:  
WE CAN HELP



**Support@aeoutdoor.com**

**www.aeoutdoor.com**

## Important Safety Information

### Please retain these instructions for future reference.

- For residential use only. Place the umbrella on a stable, level surface.
- Anchoring required. Add base weights totaling at least 100 lb (45 kg) or bolt to solid ground. Do not assemble on sandy, muddy, or loose soil.
- Weather. Do not use in snow, heavy rain, thunderstorms, or strong/gusty winds.
- Pre-use check. Tighten all bolts, screws, and knobs before each use.
- Children & pets. Keep clear during setup and operation.
- If the crank becomes difficult to turn, stop and check if the rope has come off the pulley; forcing it may damage the rope or handle.
- If any parts are missing or damaged, stop using the product until repaired or replaced.
- Do not use this product in any manner inconsistent with the manufacturer's instructions.

## Storage

- Close the canopy when the umbrella is not in use.
- Store it in a dry, sheltered area, away from the weather.
- If necessary, cover it with a furniture cover or tarp.

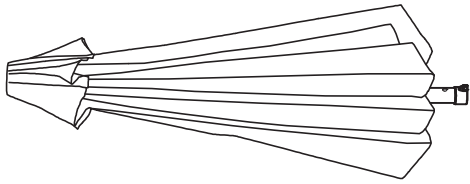
## Cleaning

- Wipe with a soft cloth dampened with warm water and mild detergent.
- Do not use abrasive cleaners or solvents.

## Before First Use

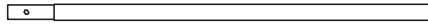
- Hold the canopy bundle upside down and shake gently to separate the ribs; pull apart carefully if needed.
- Slowly turn the crank to open the canopy; ensure no ribs are stuck together.

# Component List



**A** X1

Umbrella  
(includes strap)



**B** X1

Pole

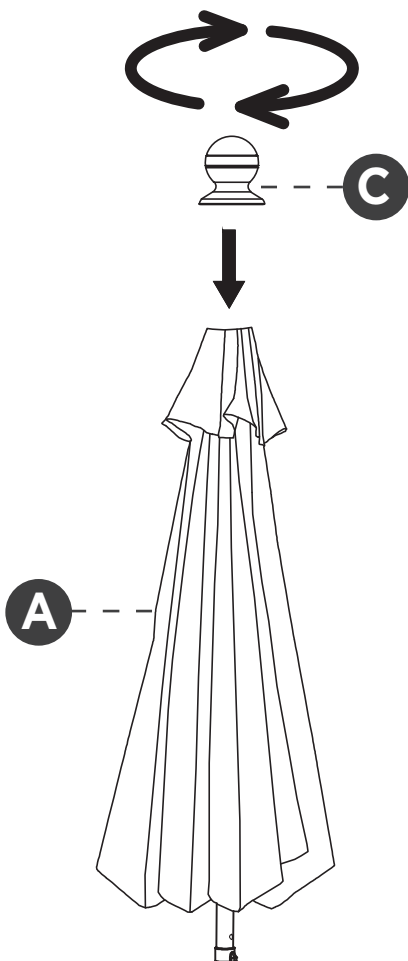


**C** X1

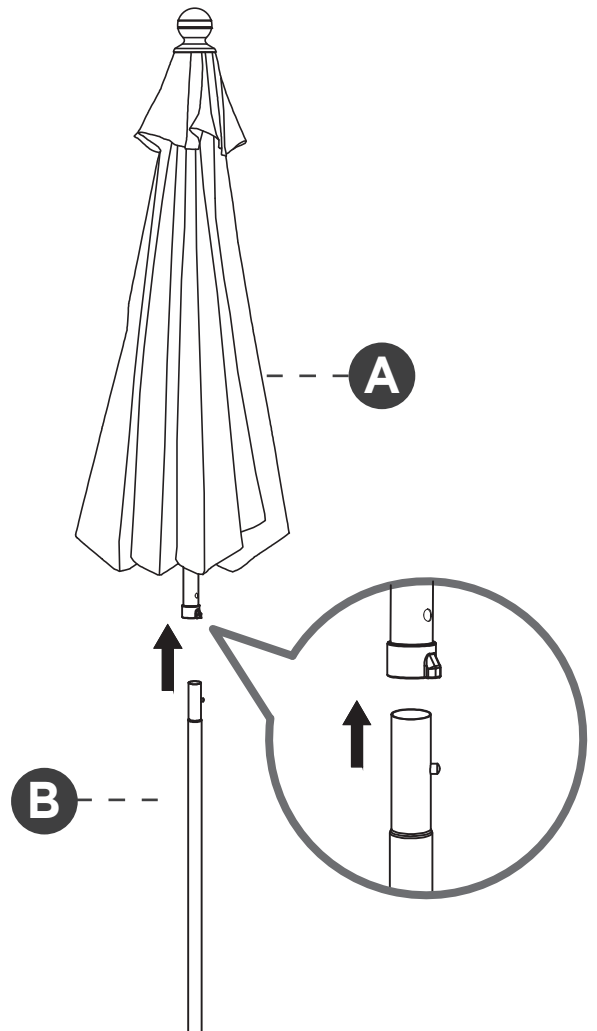
Spherical  
Umbrella Cap

# Assembly Instructions

## Step 1

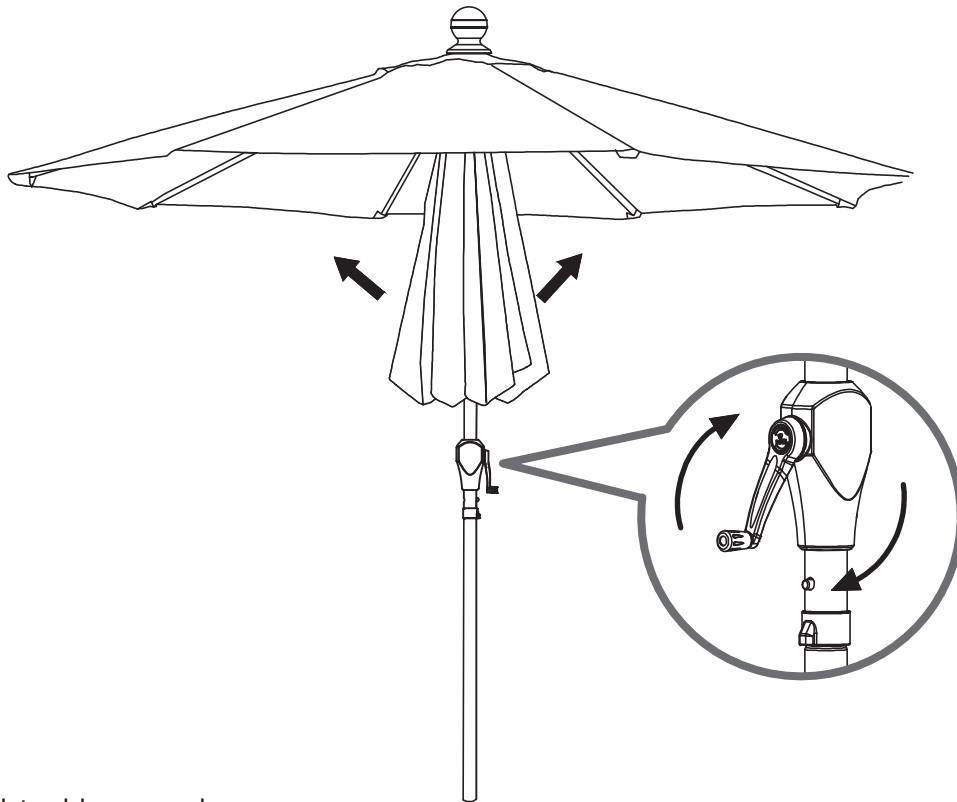


## Step 2



# Instructions For Use

## Step 3



### ⚠ NOTE

Use with a weighted base only.  
Recommended base weight: at least 100 lb (45 kg)

## Step 4

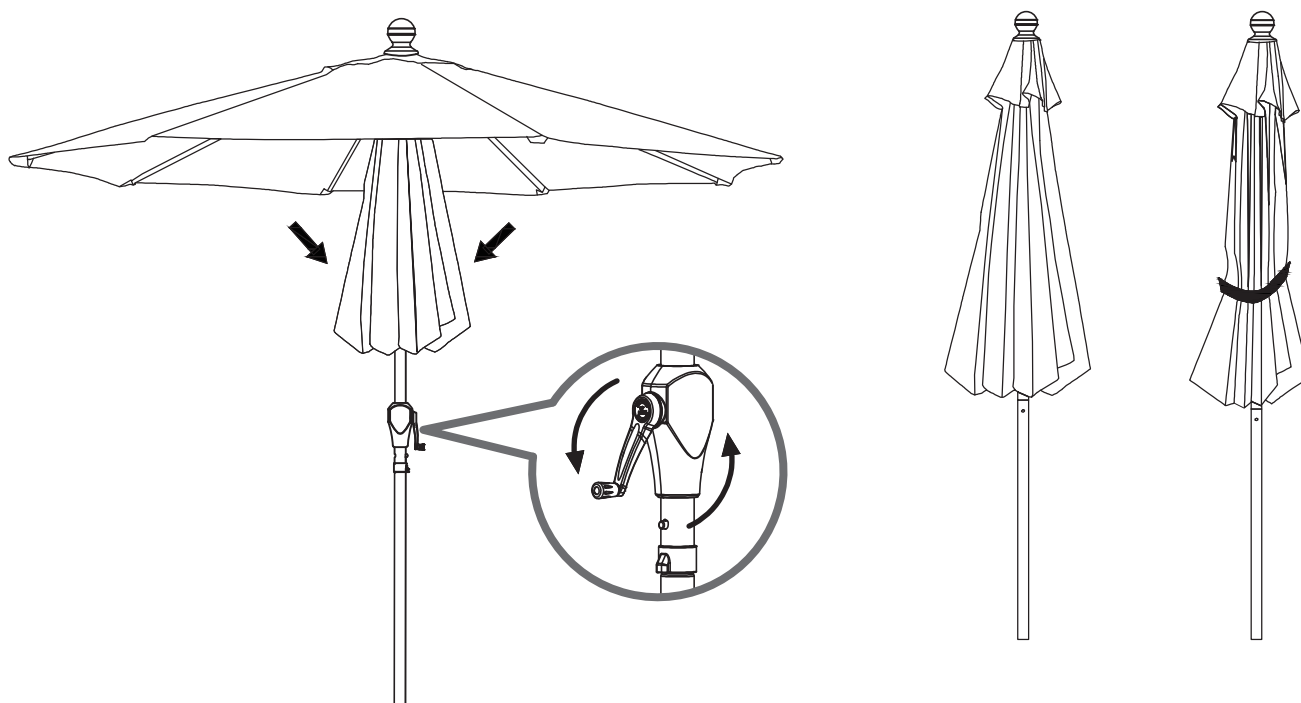


# Instructions For Use

## Step 5



## Step 6



# Important Safety & Use Instructions

## Patio Umbrella User Guide

- The umbrella base is not included. Do not use the umbrella without a compatible base.
- Do not use the umbrella in inclement weather, such as heavy snow, heavy rain, thunderstorms, or strong winds.
- Always remove the umbrella from its base when not in use.
- If using the umbrella with a table, insert it through the hole in the center of the table.
- Do not use this product in any manner inconsistent with the manufacturer's instructions.

Should you have any issues, please don't hesitate to contact us.

**Email: [Support@aeoutdoor.com](mailto:Support@aeoutdoor.com)**



[www.aeoutdoor.com](http://www.aeoutdoor.com)