



## Instruction Manual

# OFFSET OUTDOOR CANTILEVER UMBRELLA

Item No. HI770A-10FT



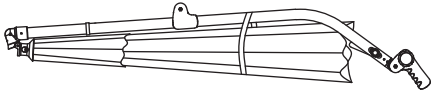
For product assistance &  
missing or replacement parts:  
WE CAN HELP



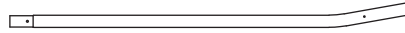
**Support@aeoutdoor.com**

**www.aeoutdoor.com**

# Component List



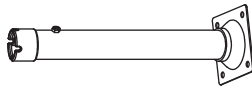
**A** X1



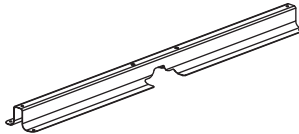
**B** X1



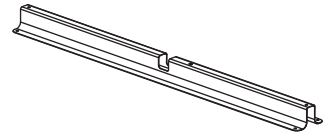
**C** X1



**D** X1

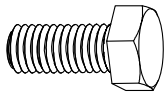


**E** X1



**F** X1

# Hardware



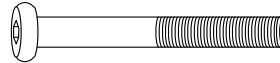
**1** X4

M8x20mm Bolts



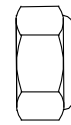
**2** X4

Ø 8 mm washers



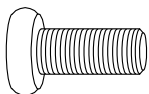
**3** X1

M6x55mm Bolt



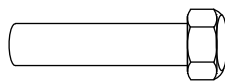
**4** X1

M6 Nut



**5** X1

M6x12mm Bolt



**6** X1

M6x39mm Nut



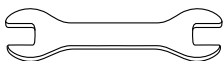
**7** X1

Securing Knob



**8** X1

Allen key



**9** X1

Wrench

## Important Safety & Warnings

### **To make the umbrella more stable, you can use ground stakes (requires 8 self-provided M8x20)**

- Base weights are not included. Do not use the umbrella without adding compatible weights / anchors.
- Do not use in snow, heavy rain, thunderstorms, or strong / gusty winds.
- Always close and strap the canopy when not in use.
- During initial assembly, start all screws loosely; tighten fully only after all parts are aligned.
- Do not use this product in any manner inconsistent with the manufacturer's instructions.

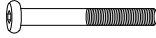

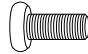
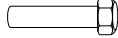

## Use & Care

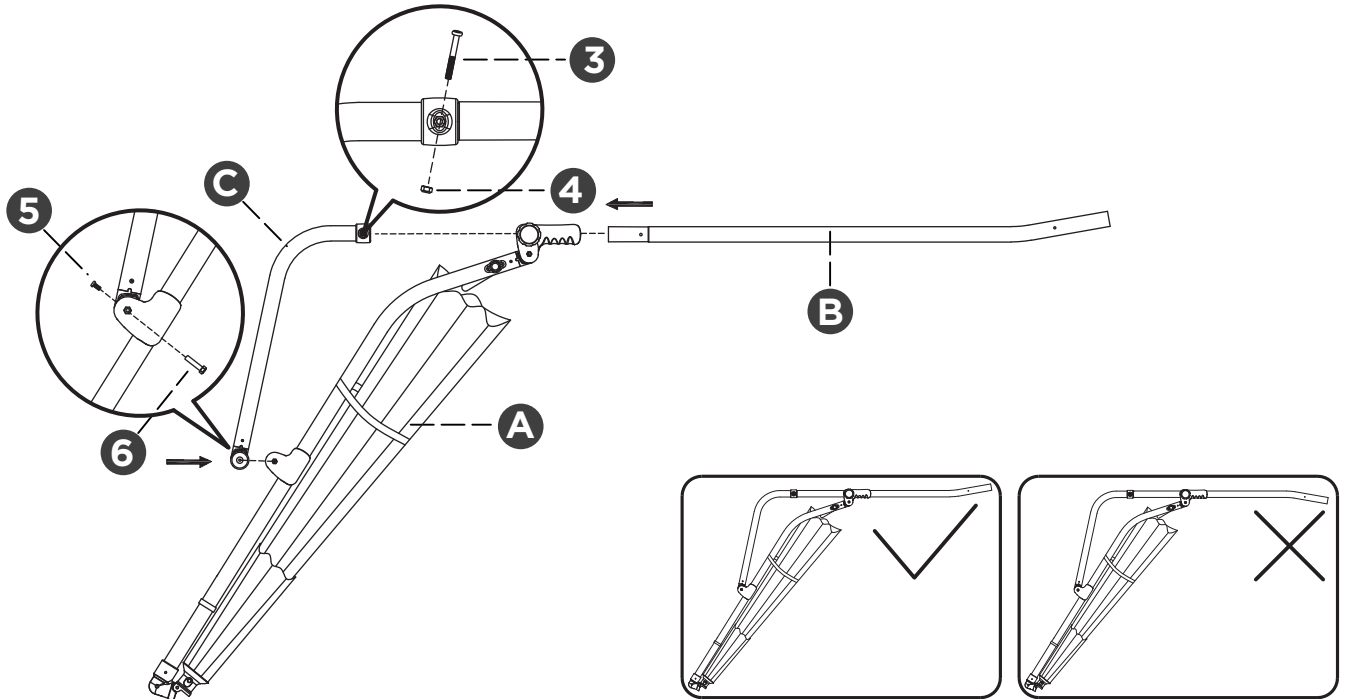
- Placement — Place on a stable, level surface; check all bolts / knobs are secure before each use.
- Weather — Close and secure the canopy in rain, strong / gusty winds, snow, or thunderstorms.
- Storage — Close and strap the canopy when not in use; store in a dry, weather-protected area or use a protective cover.
- Periodic check — Check and re-tighten all bolts, screws, and knobs every 90 days.

## Cleaning

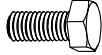



- Wipe with a soft cloth dampened with warm water and mild detergent.
- Do not use abrasive cleaners or solvents.

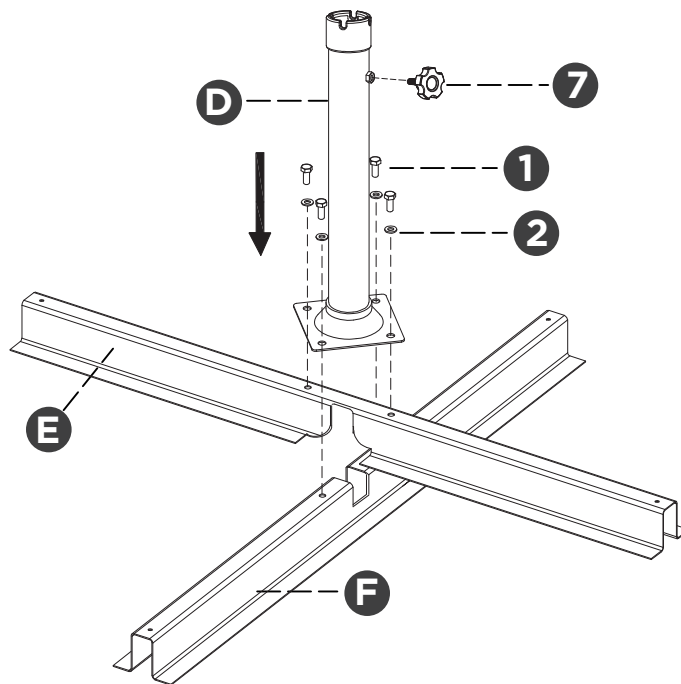
# Step 1

<p><b>3</b> 1pc</p>  <p>M6 x 55mm bolt</p>	<p><b>4</b> 1pc</p>  <p>M6 Nut</p>	<p><b>5</b> 1pc</p>  <p>M6 x 12mm bolt</p>	<p><b>6</b> 1pc</p>  <p>M6 x 39mm Nut</p>	<p><b>8</b> 1pc</p>  <p>Allen key</p>
---	---	---	--	--

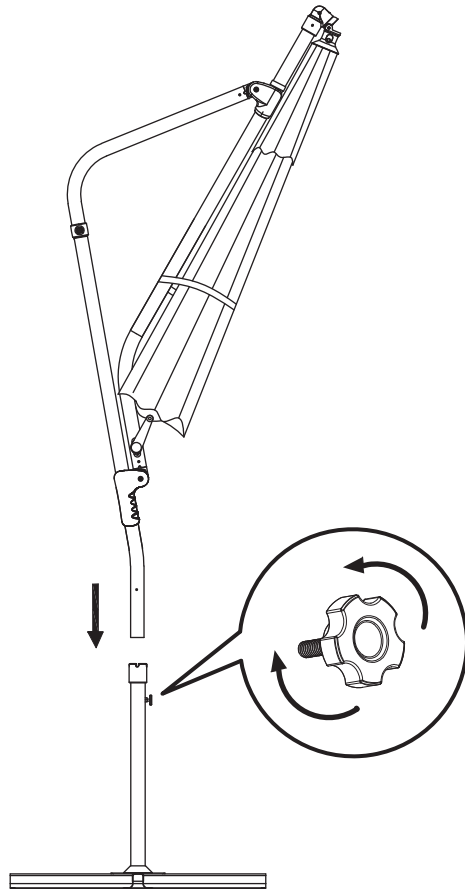


# Step 2

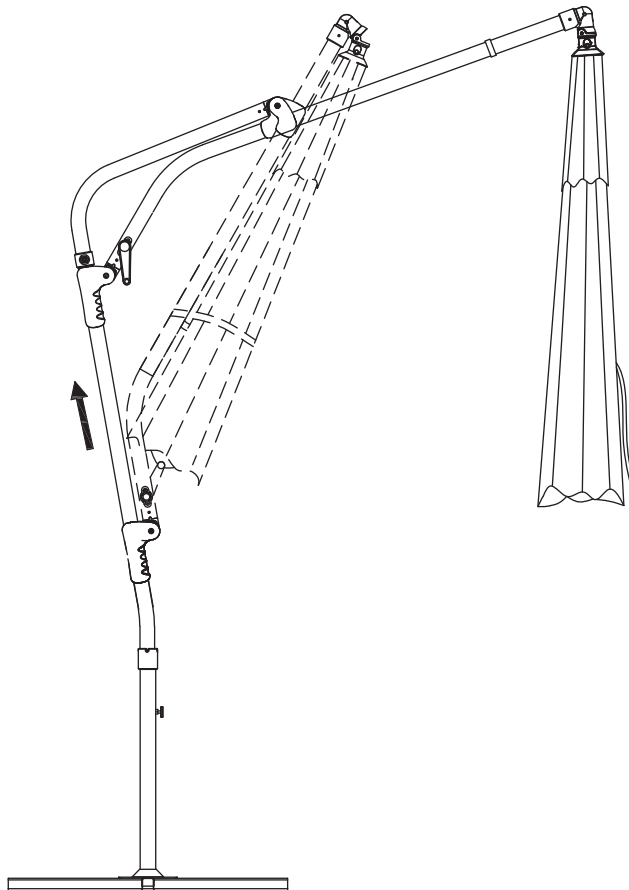
<p><b>1</b> 4pcs</p>  <p>M8 x 20mm bolt</p>	<p><b>2</b> 4pcs</p>  <p>Ø 8 mm washers</p>	<p><b>7</b> 1pc</p>  <p>Securing Knob</p>	<p><b>9</b> 1pc</p>  <p>Wrench</p>
--	--	--	---



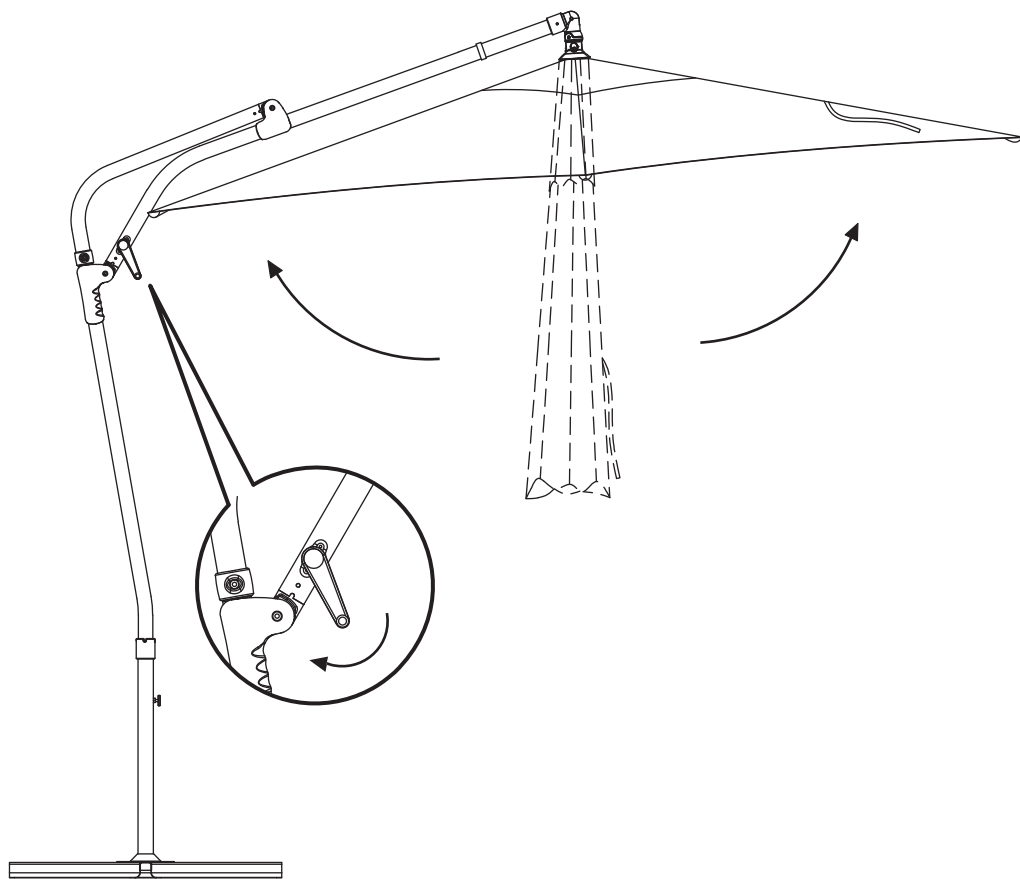
### Step 3



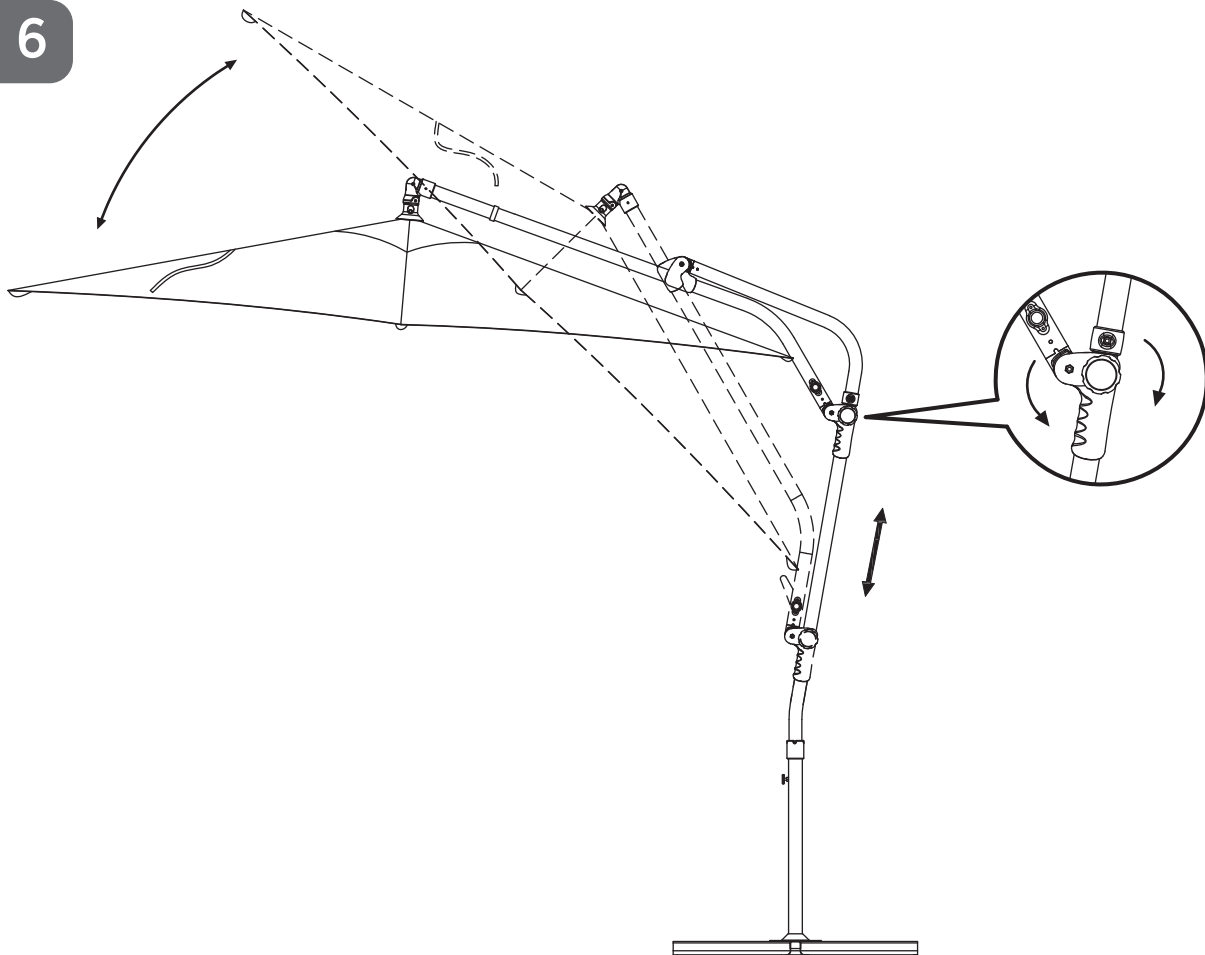
### Step 4



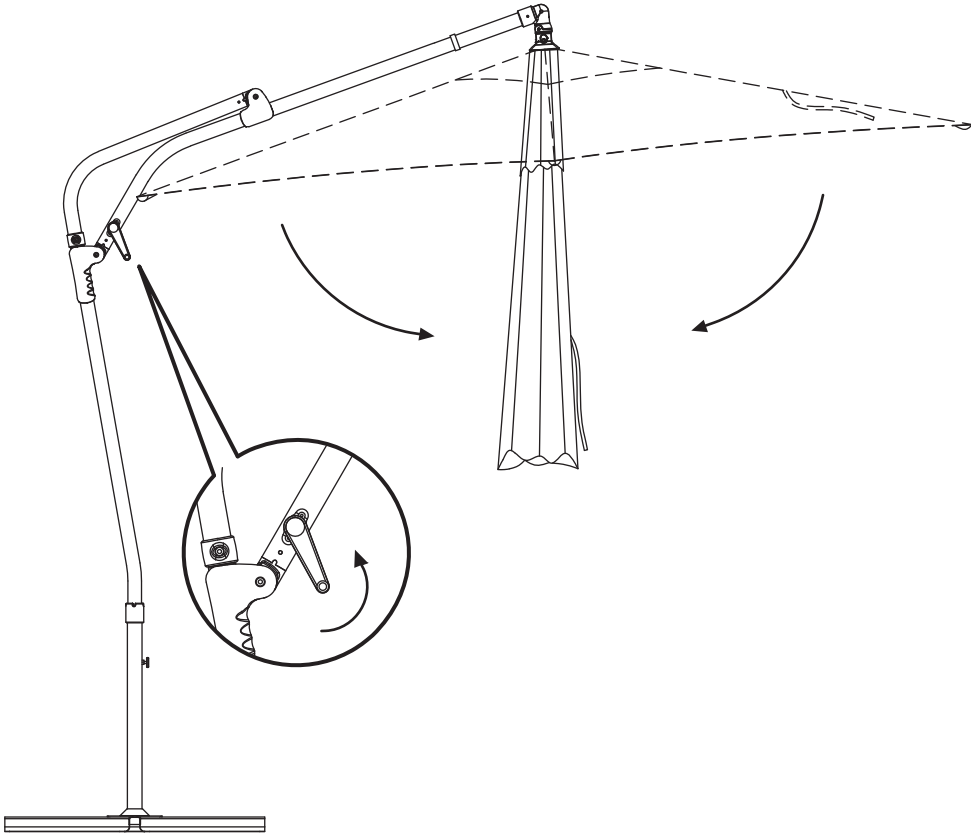
## Step 5



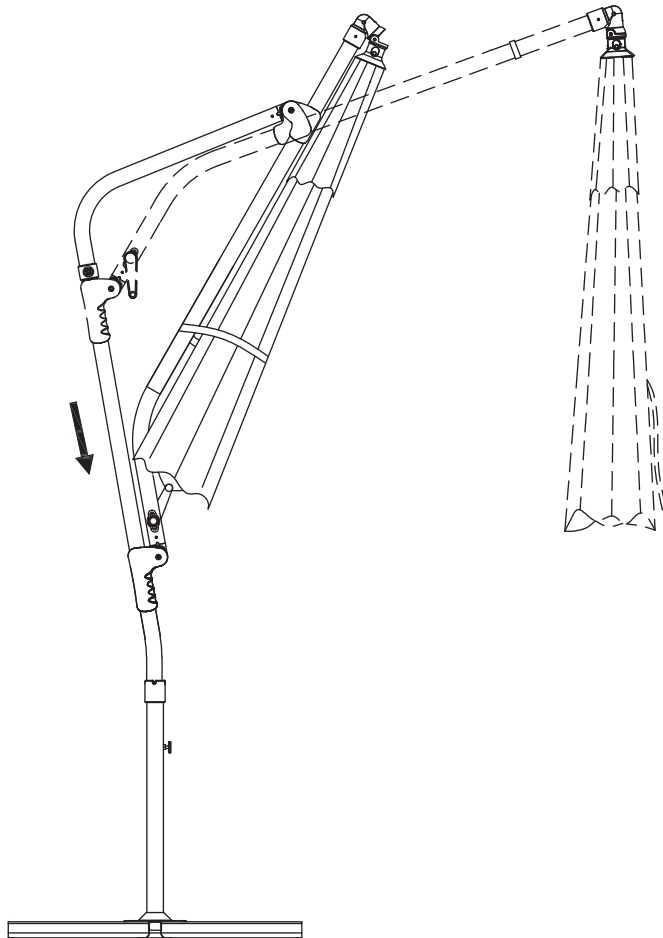
## Step 6



## Step 7



## Step 8





[www.aeoutdoor.com](http://www.aeoutdoor.com)

Should you have any issues, please don't hesitate to contact us.

**Email: [Support@aeoutdoor.com](mailto:Support@aeoutdoor.com)**