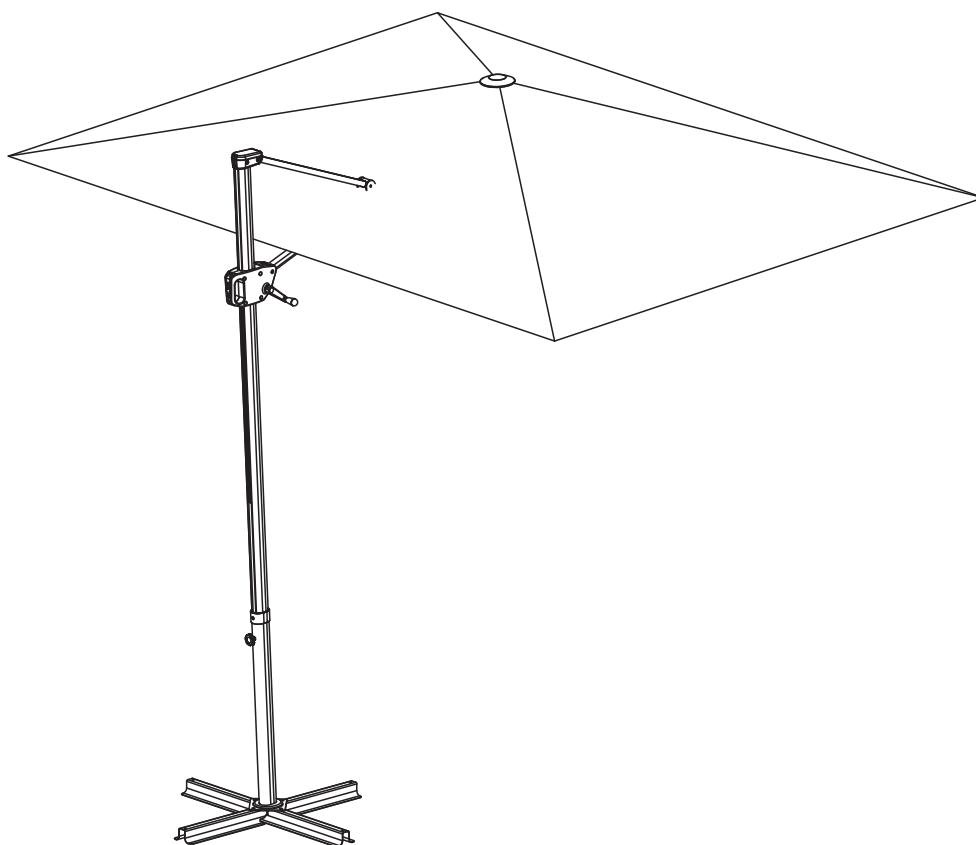




Instruction Manual

CANTILEVER OUTDOOR UMBRELLA

Item No. HI543A-6.5x10FT



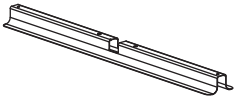
For product assistance &
missing or replacement parts:
WE CAN HELP



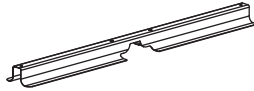
Support@aeoutdoor.com

www.aeoutdoor.com

Component List



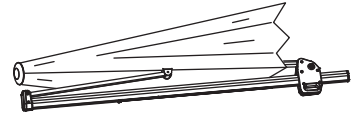
A X1



B X1

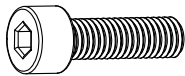


C X1



D X1

Hardware



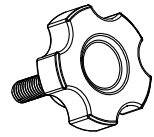
1 X4

M8x20mm Bolt



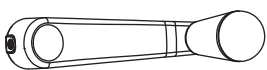
2 X4

Flat Washer



3 X1

Securing Knob



4 X1

Crank

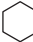


5 X1

Allen key  6x6



6 X1

Allen key  2.5x2.5

Important Safety & Warnings

To make the umbrella more stable, you can use ground stakes (requires 8 self-provided M8x20)

- Base weights are not included. Do not use the umbrella without adding compatible weights / anchors.
- Do not use in snow, heavy rain, thunderstorms, or strong / gusty winds.
- Always close and strap the canopy when not in use.
- During initial assembly, start all screws loosely; tighten fully only after all parts are aligned.
- Do not use this product in any manner inconsistent with the manufacturer's instructions.

Use & Care

- Placement — Place on a stable, level surface; check all bolts / knobs are secure before each use.
- Weather — Close and secure the canopy in rain, strong / gusty winds, snow, or thunderstorms.
- Storage — Close and strap the canopy when not in use; store in a dry, weather-protected area or use a protective cover.
- Periodic check — Check and re-tighten all bolts, screws, and knobs every 90 days.

Cleaning

- Wipe with a soft cloth dampened with warm water and mild detergent.
- Do not use abrasive cleaners or solvents.

Step 1

1 4pcs



M8 x 20 mm bolt

2 4pcs

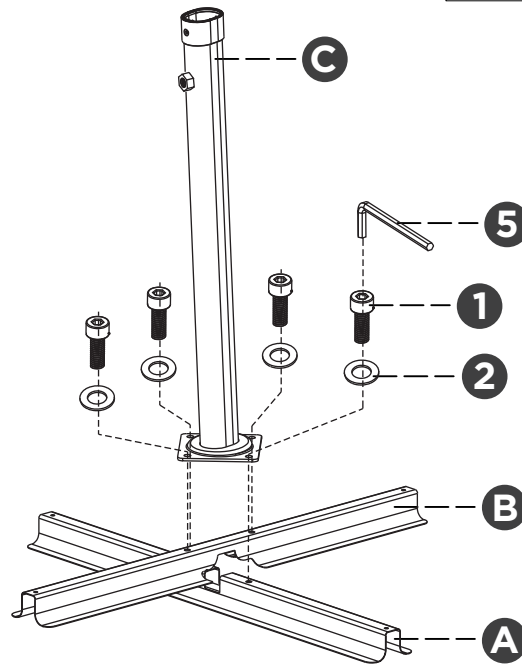


Flat Washer

5 1pc



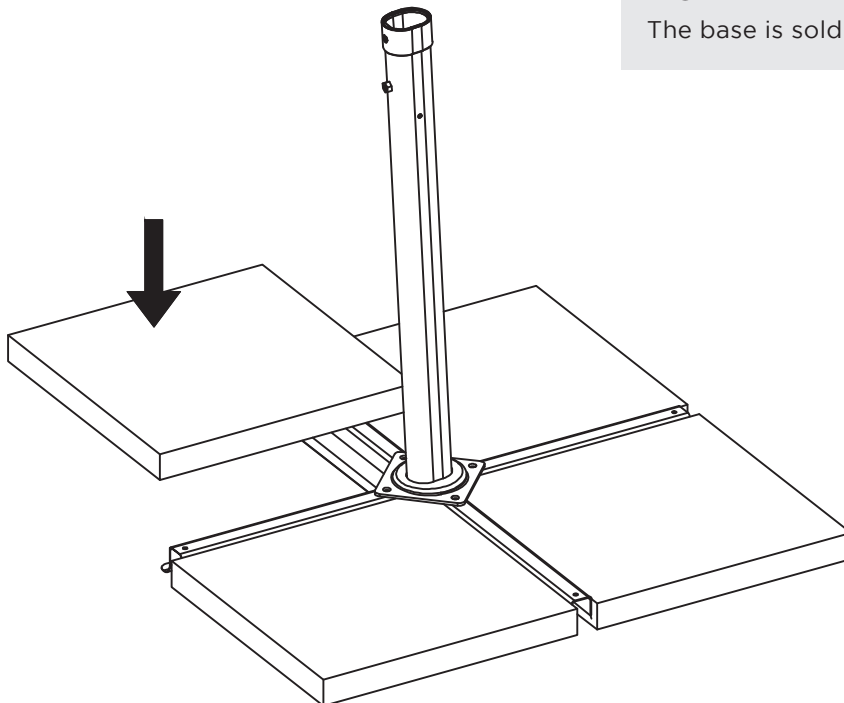
Allen key



Step 2

NOTE:

The base is sold separately.

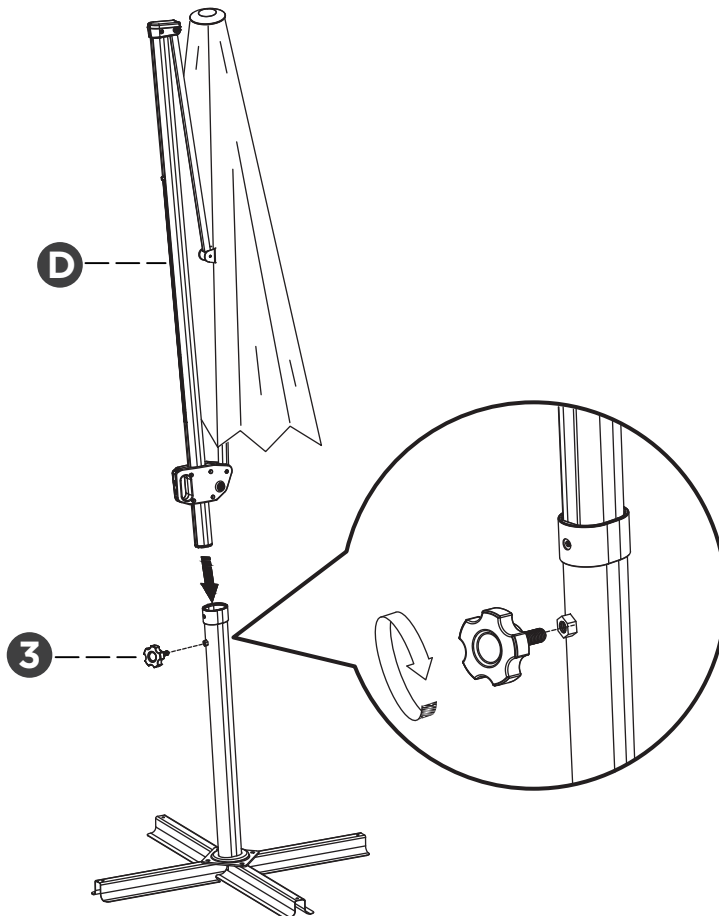


Step 3

3 1pc



Securing Knob



Step 4

4 1pc

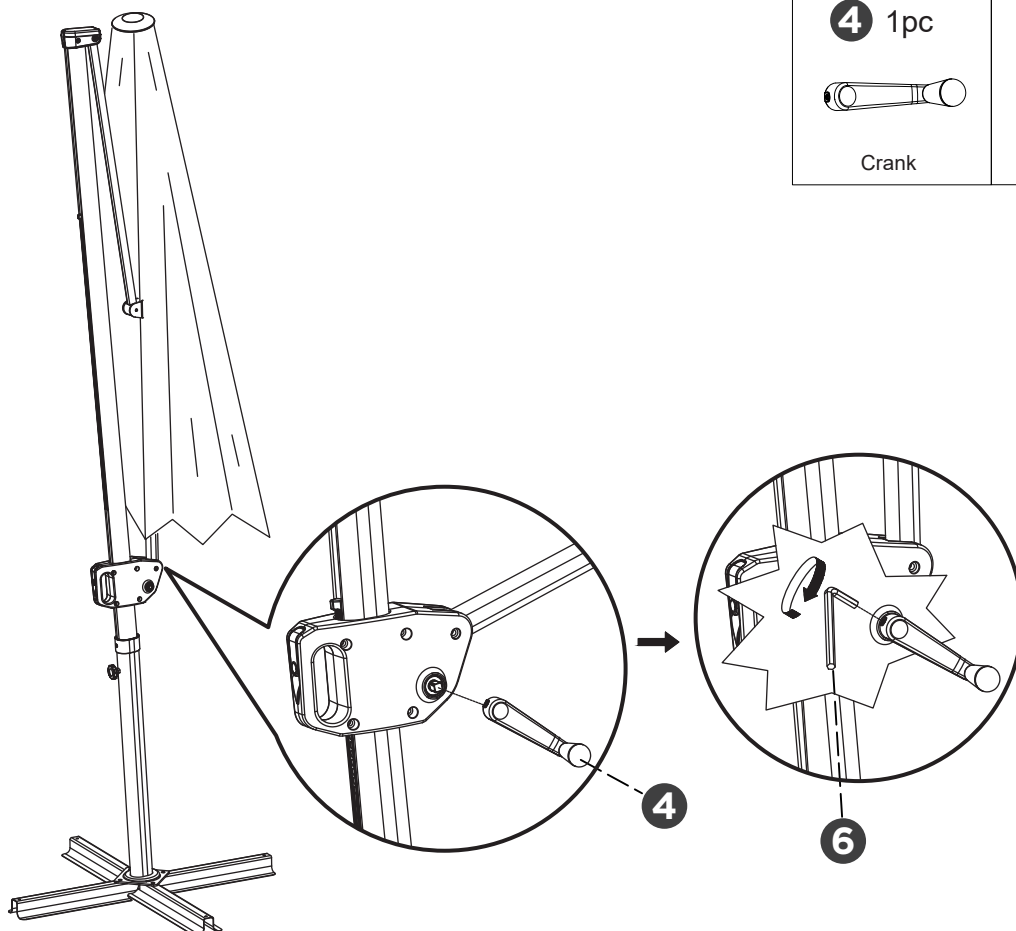


Crank

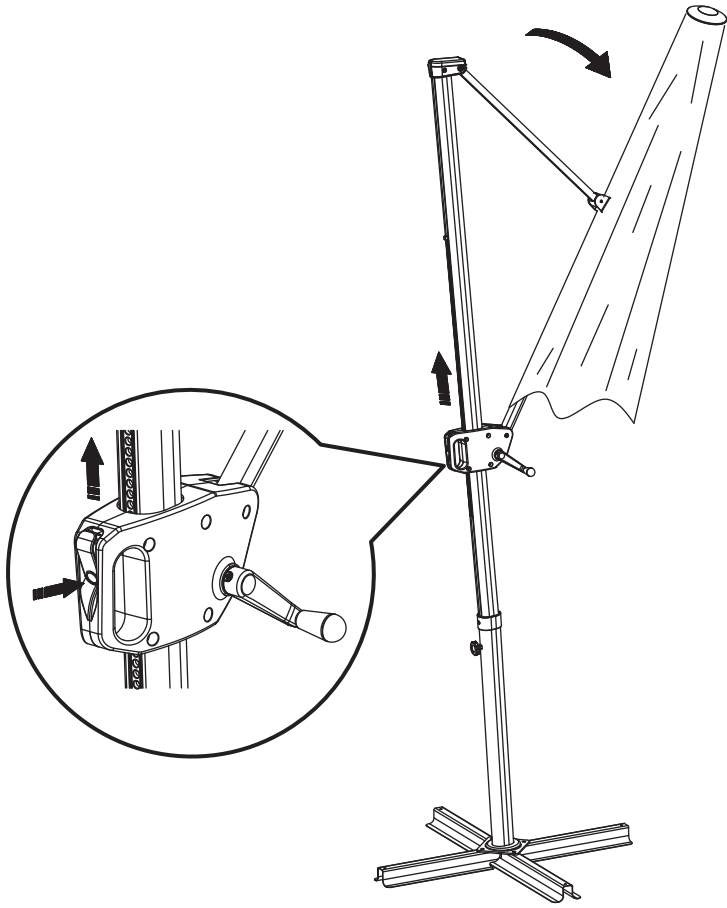
6 1pc



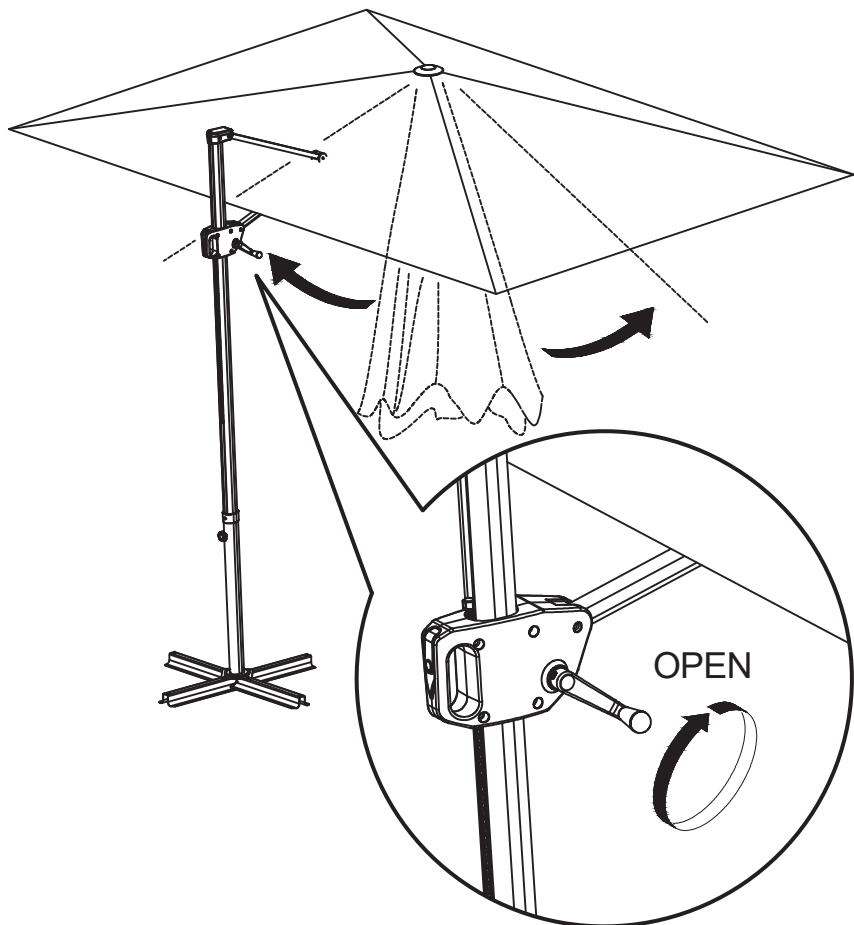
Allen key



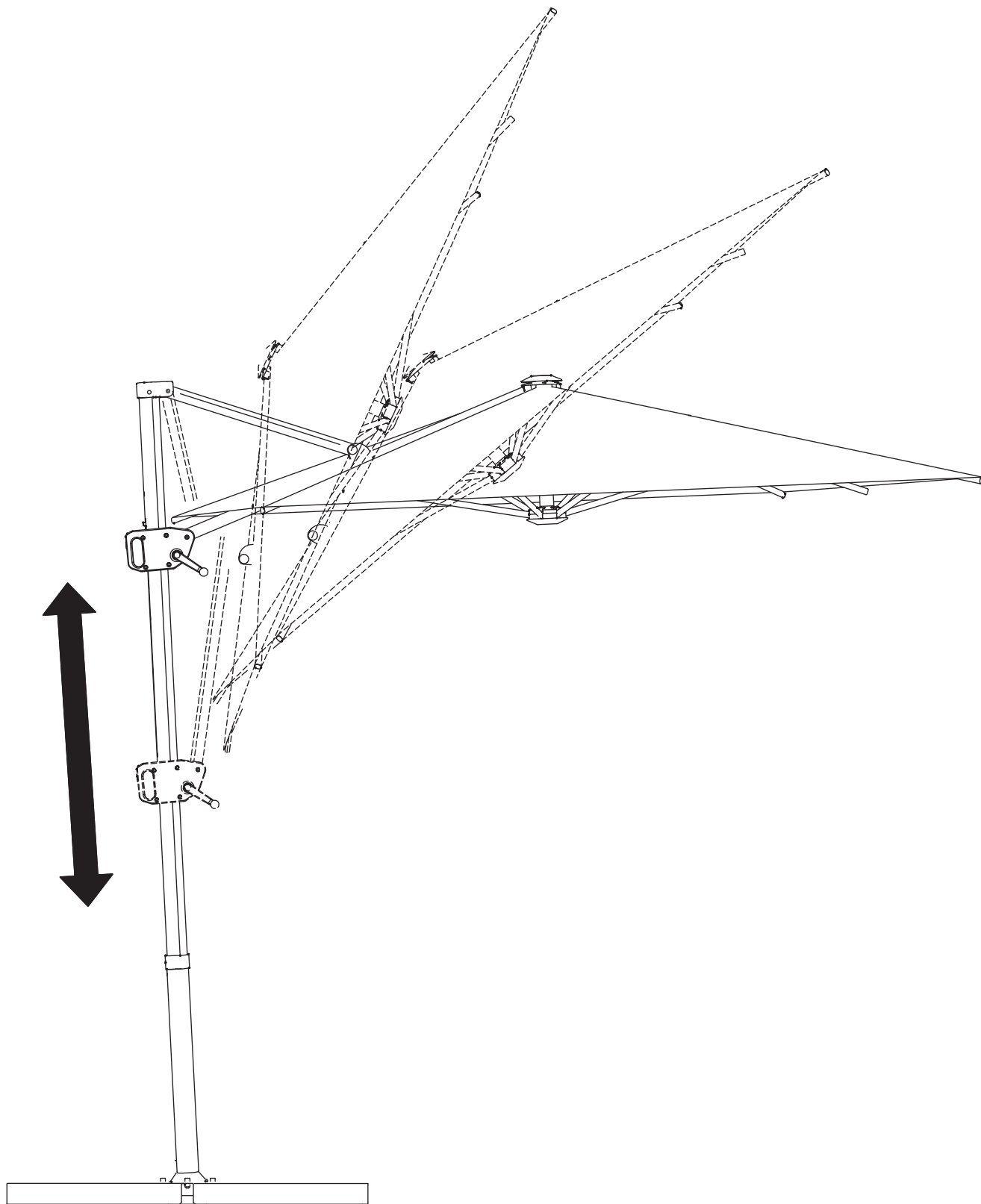
Step 5



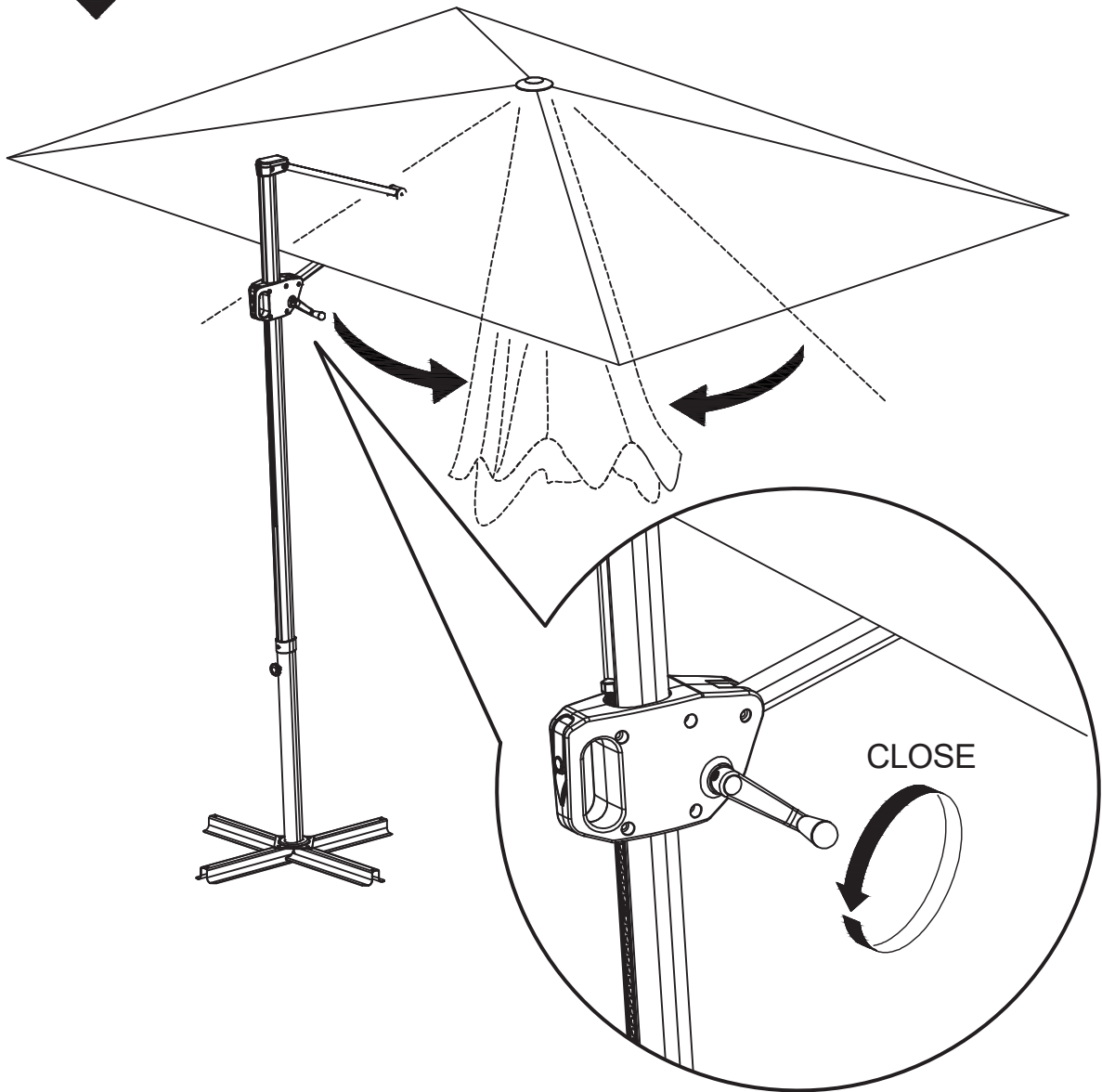
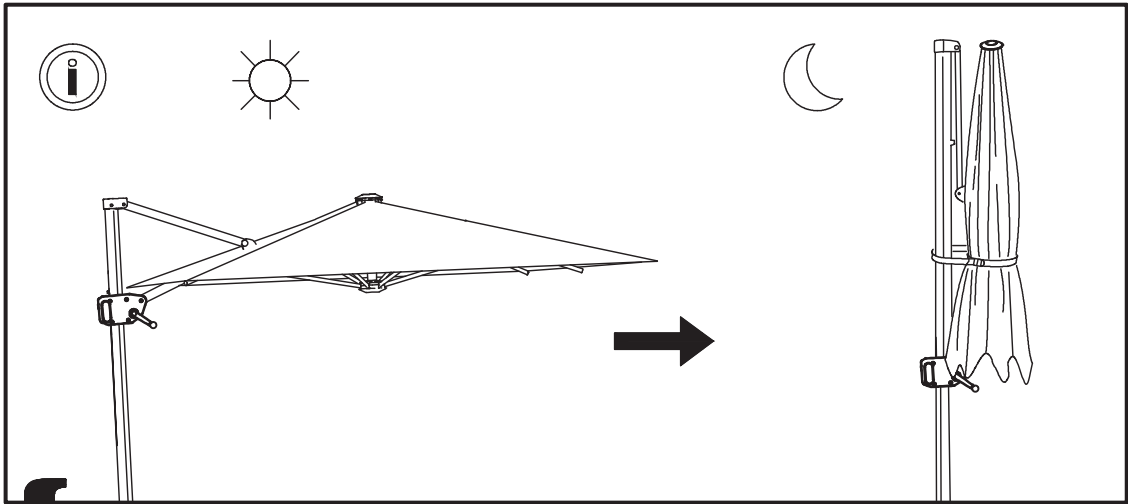
Step 6



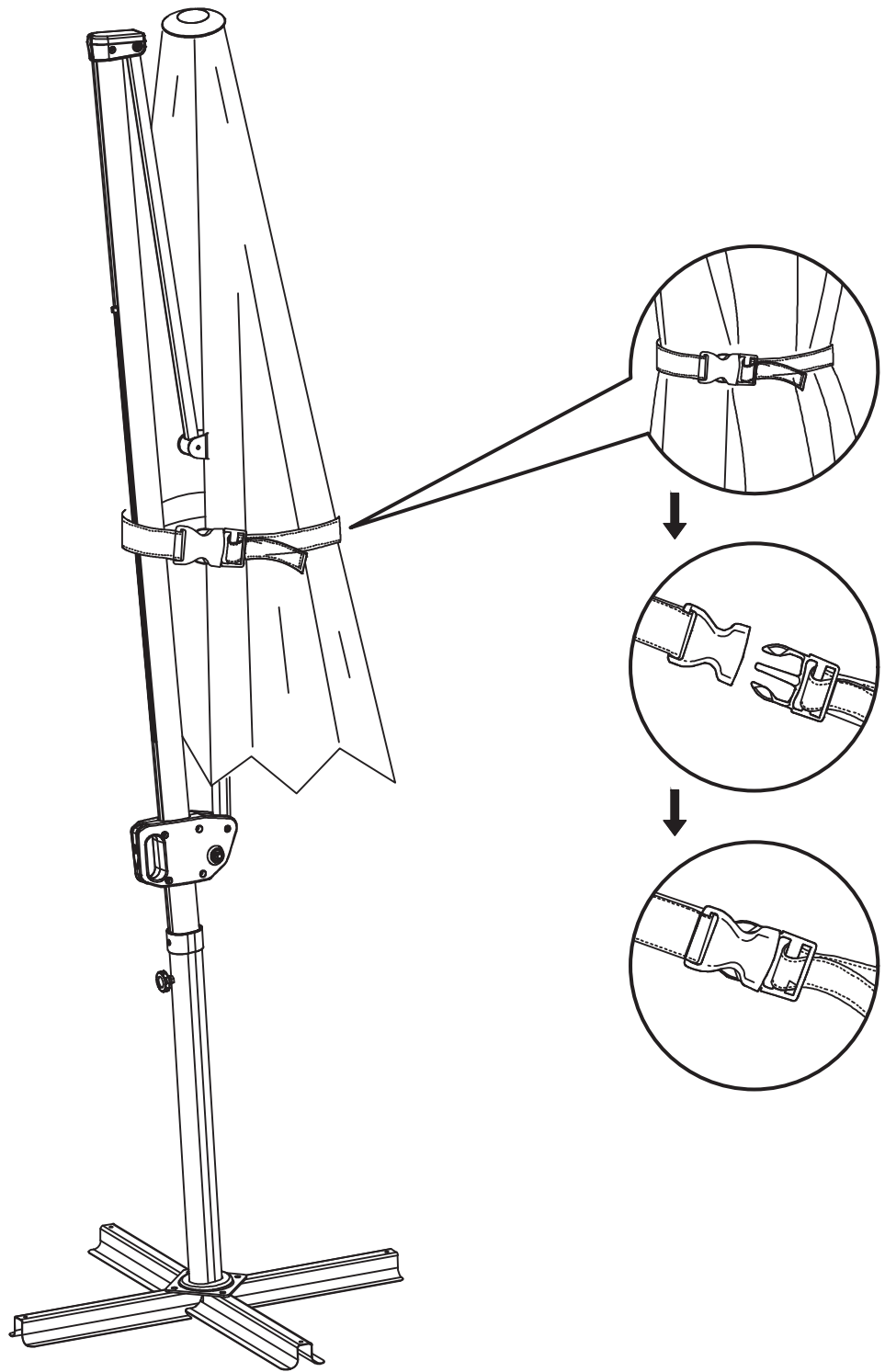
Step 7



Step 8



Step 9





www.aeoutdoor.com

Should you have any issues, please don't hesitate to contact us.

Email: Support@aeoutdoor.com