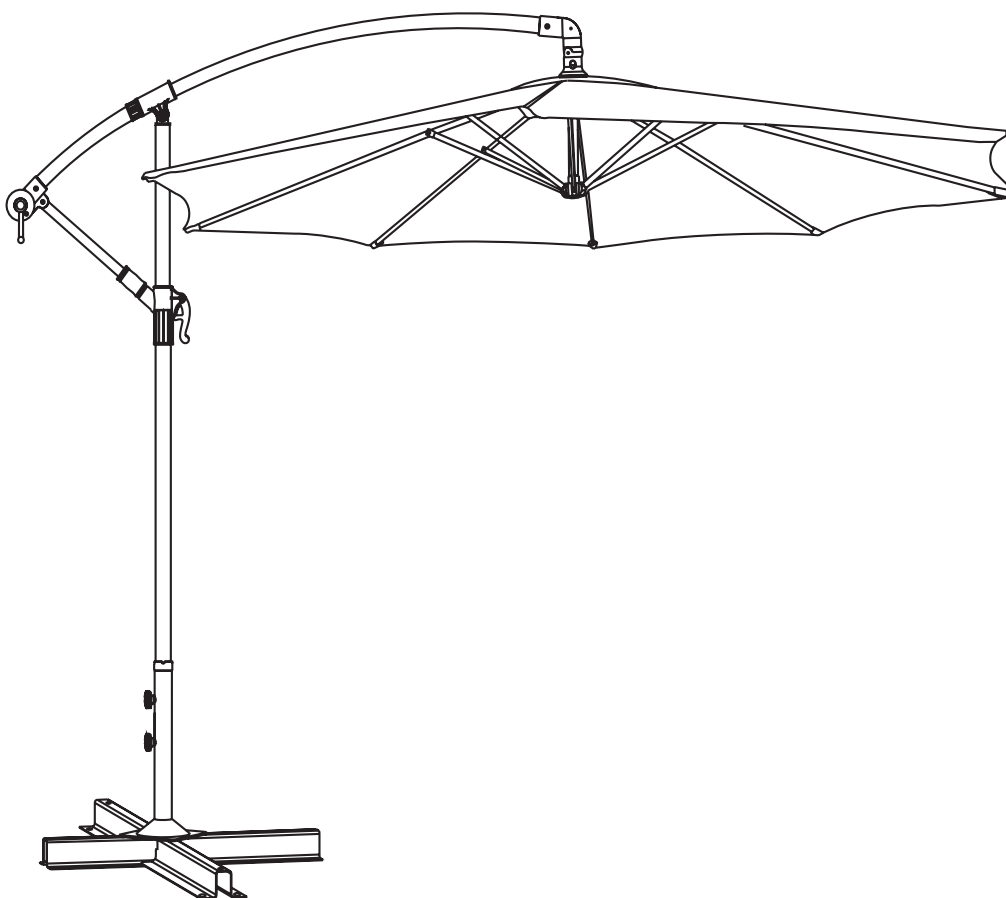




Instruction Manual

CANTILEVER OUTDOOR UMBRELLA

Item No. HH708A-10FT



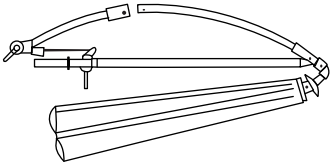
For product assistance &
missing or replacement parts:
WE CAN HELP



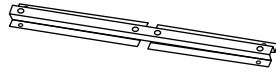
Support@aeoutdoor.com

www.aeoutdoor.com

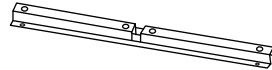
Component List



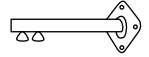
A X1



B X1

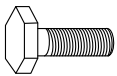


C X1



D X1

Hardware



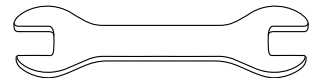
1 X4

M8 × 16 mm bolts



2 X4

Ø 8 mm washers



3 X1

Wrench

Important Safety & Warnings

To make the umbrella more stable, you can use ground stakes (requires 8 pcs self-provided M8x16 mm bolts)

- Base weights are not included. Do not use the umbrella without adding compatible weights /anchors.
- Do not use in snow, heavy rain, thunderstorms, or strong/gusty winds.
- Always close and strap the canopy when not in use.
- During initial assembly, start all screws loosely; tighten fully only after all parts are aligned.
- Do not use this product in any manner inconsistent with the manufacturer's instructions; doing so may void the warranty.

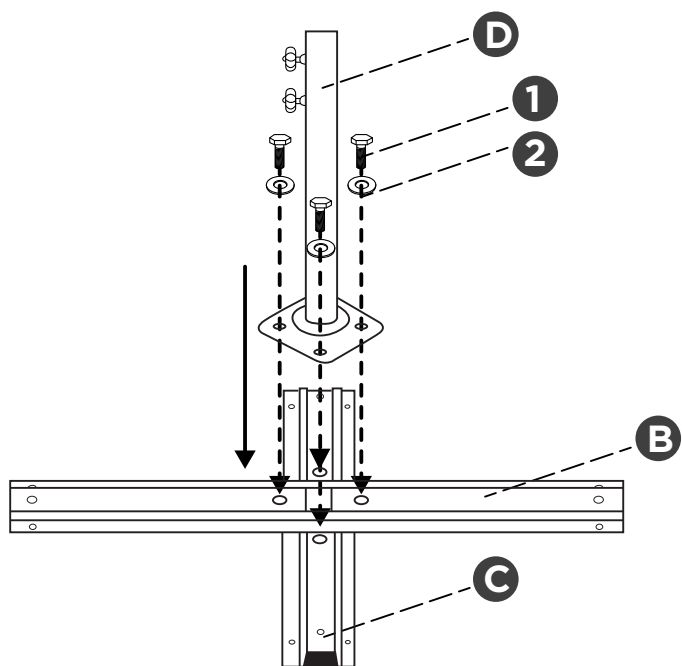
Use & Care




- Placement — Place on a stable, level surface; check all bolts/knobs are secure before each use.
- Weather — Close and secure the canopy in rain, strong/gusty wind, snow, or thunderstorms.
- Storage — Close and strap the canopy when not in use; store in a dry, weather-protected area or use a protective cover.
- Periodic check — Check and re-tighten all bolts, screws, and knobs every 90 days.

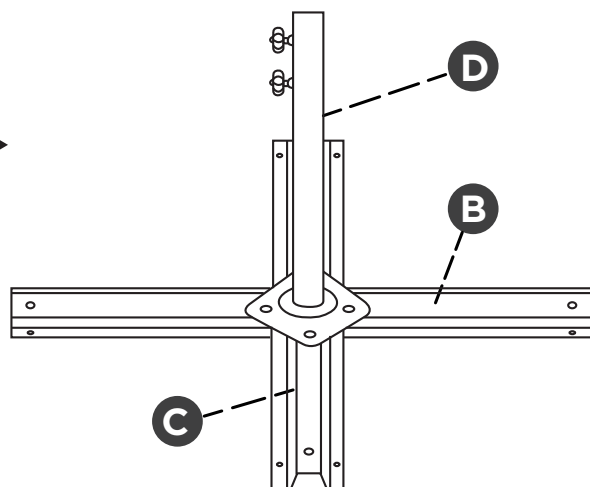
Cleaning

- Wipe with a soft cloth dampened with warm water and mild detergent.
- Do not use abrasive cleaners or solvents.

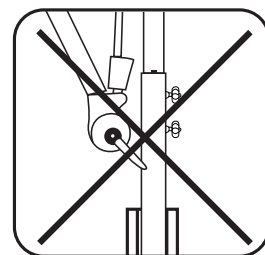
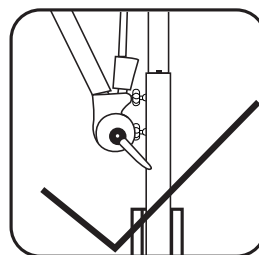
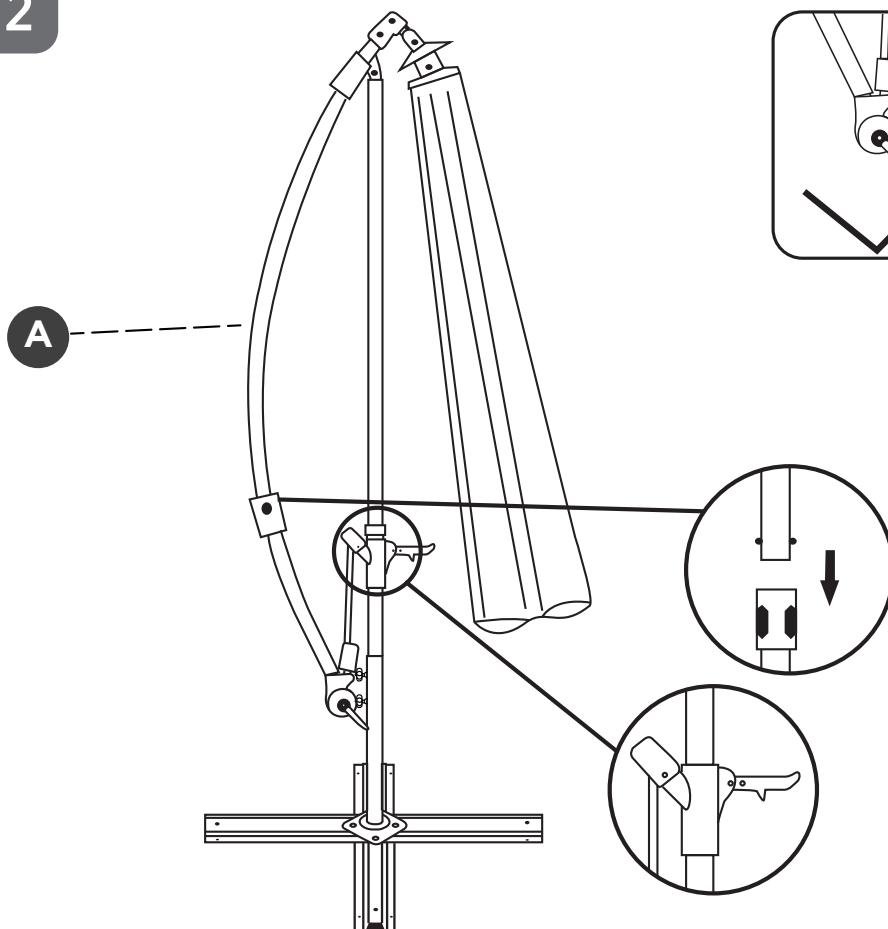
Step 1



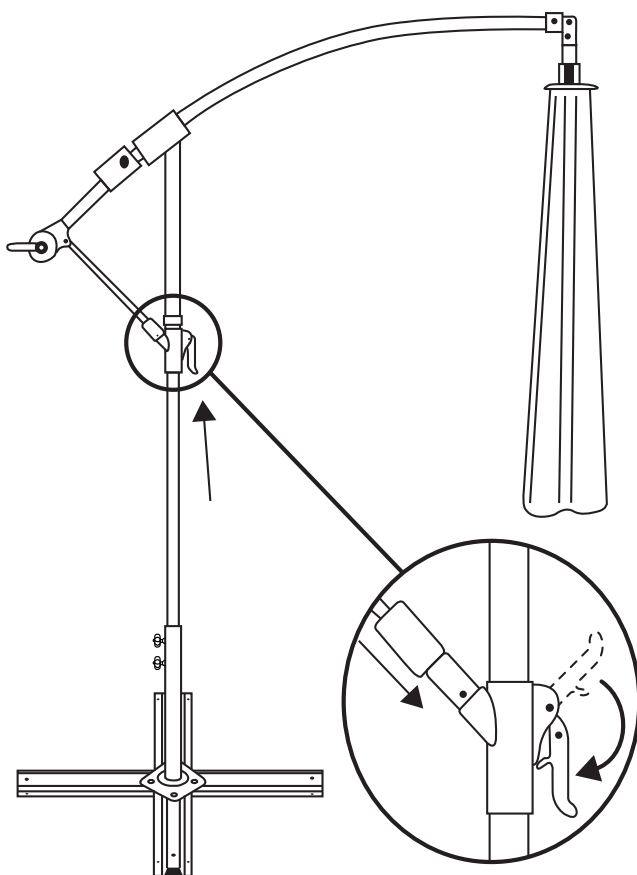
1 4pcs  M8 x 16 mm bolts	2 4pcs  Ø 8 mm washers	3 1pc  Wrench
--	--	---



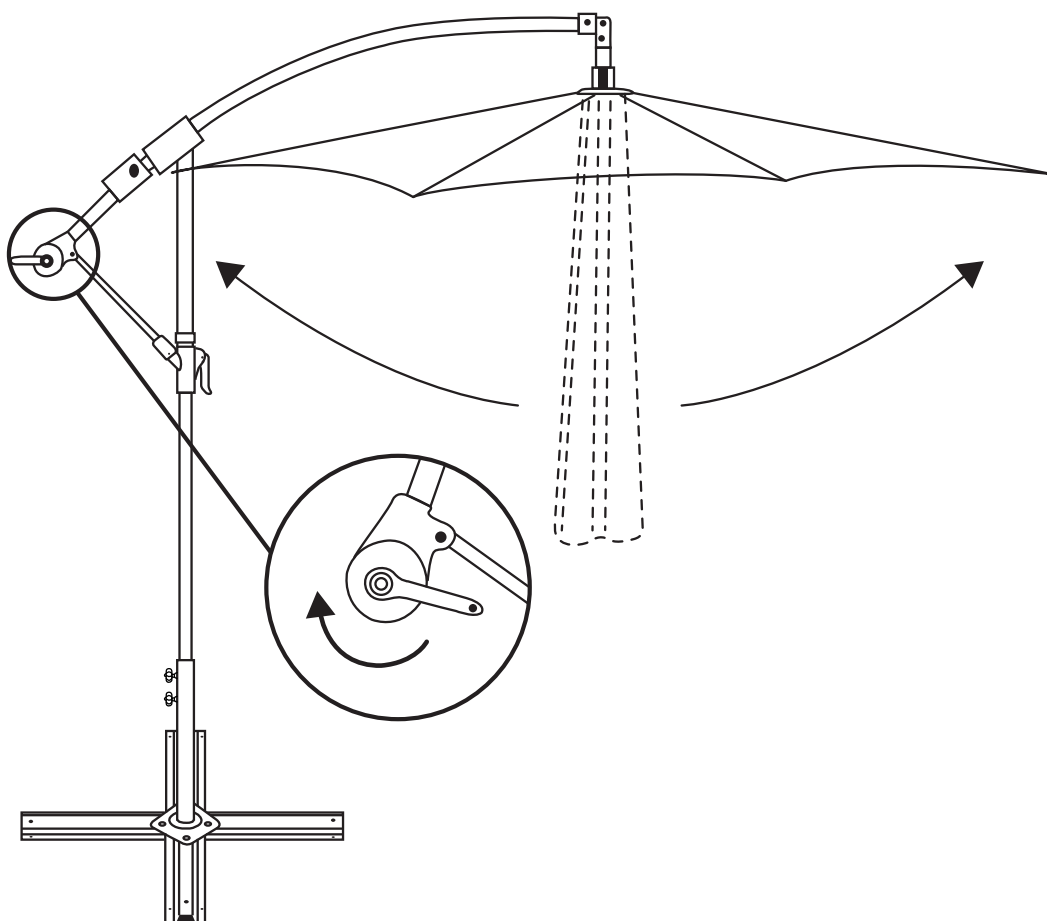
Step 2



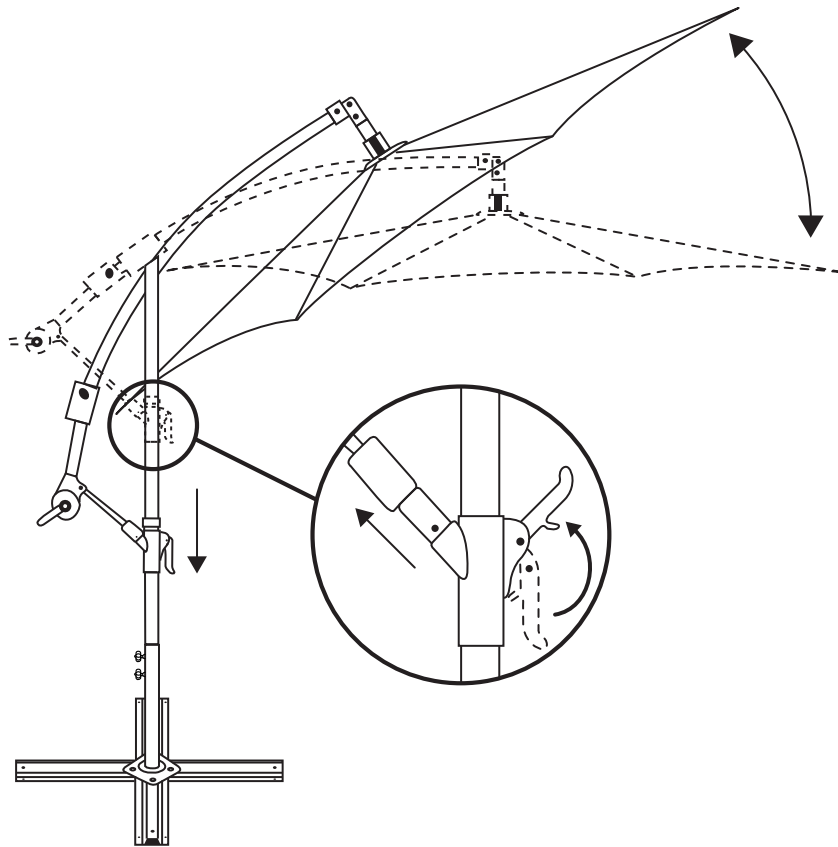
Step 3



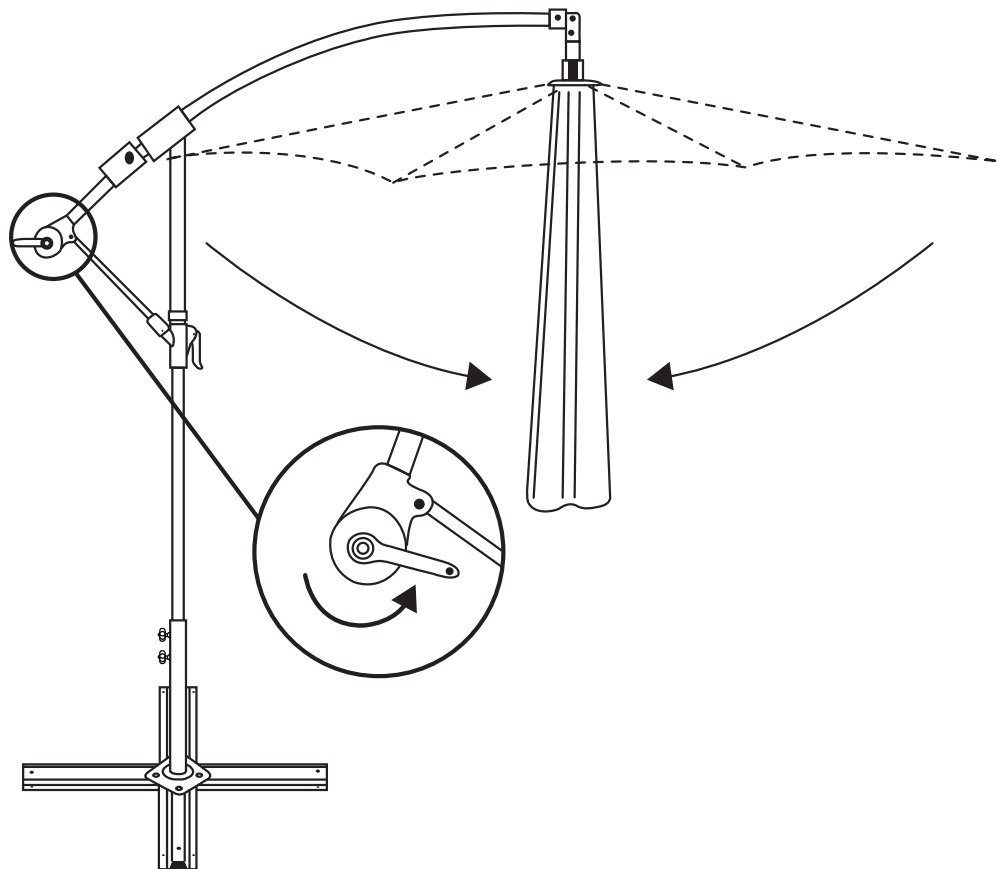
Step 4



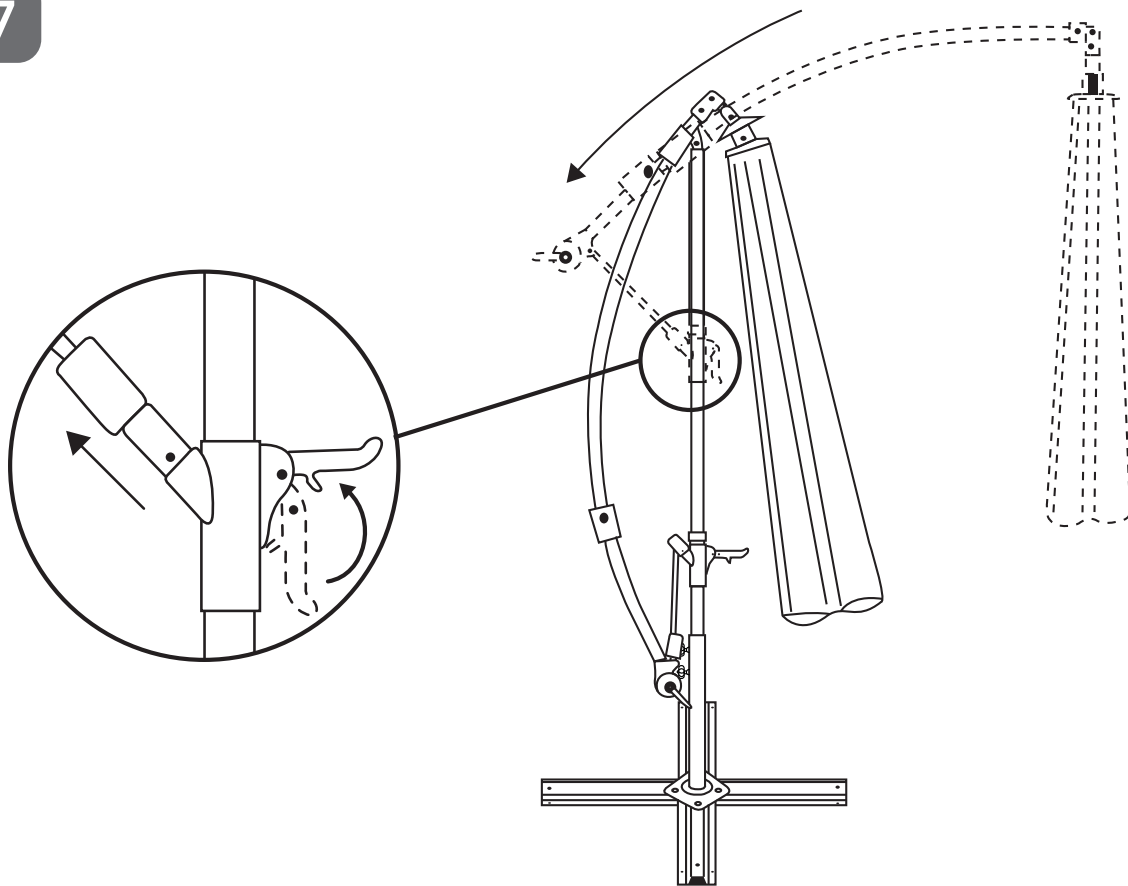
Step 5



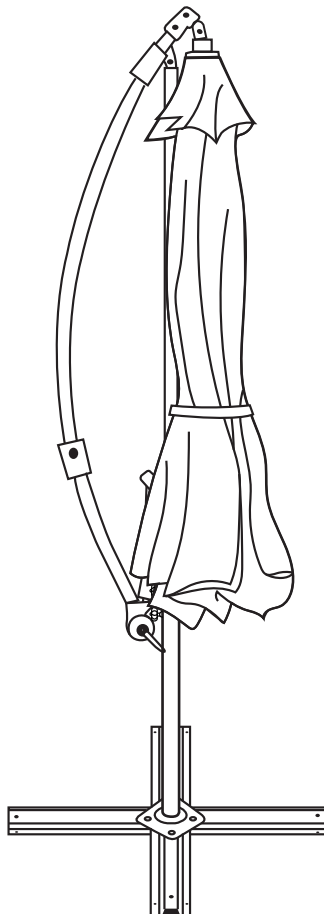
Step 6



Step 7



Step 8





www.aeoutdoor.com

Should you have any issues, please don't hesitate to contact us.

Email: Support@aeoutdoor.com