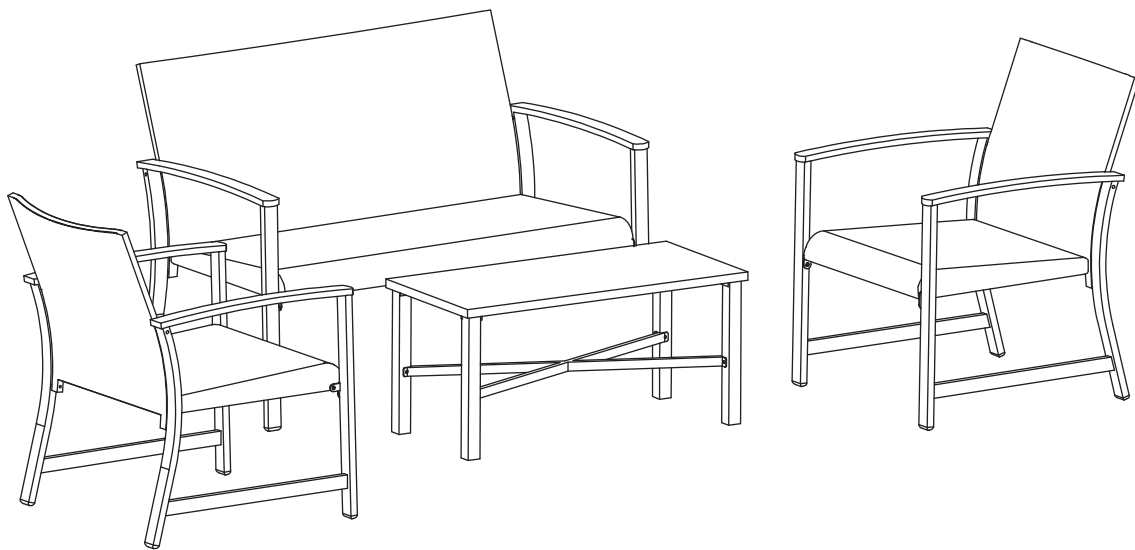




Instruction Manual

# AE OUTDOOR 4PC CONVERSATION SET

Item No. S835LA



For product assistance &  
missing or replacement parts:  
WE CAN HELP

 [Support@aeoutdoor.com](mailto:Support@aeoutdoor.com)

[www.aeoutdoor.com](http://www.aeoutdoor.com)

# CONTENTS & INFORMATION

<b>Contents &amp; Information</b> .....	2	<b>Parts Diagram</b> .....	4
Safety Precautions .....	2	<b>Assembly</b> .....	5-10
Pre-as Sembly .....	2	<b>Care And Maintenance</b> .....	11
<b>Model Description</b> .....	3		
Finished Assembled Product			
.....	3		
Hardware .....	3		

## FEATURES

- Durable steel frame for a long life.
- Easily assembled with the included instructions

## SAFETY PRECAUTIONS

### **ATTENTION**

#### **Use the correct bolts**

- Use the correct bolts as indicated. Do not tighten any of the bolts until the product is completely assembled.

#### **Do not discard packaging**

- Do not discard any of the packaging until you have checked that you have all of the required parts.



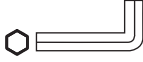
#### **Keep children away during assembly**

- This item contains small parts that can be swallowed by children. Children should always be under direct adult supervision while using this product.
- Retain assembly instructions for future reference.

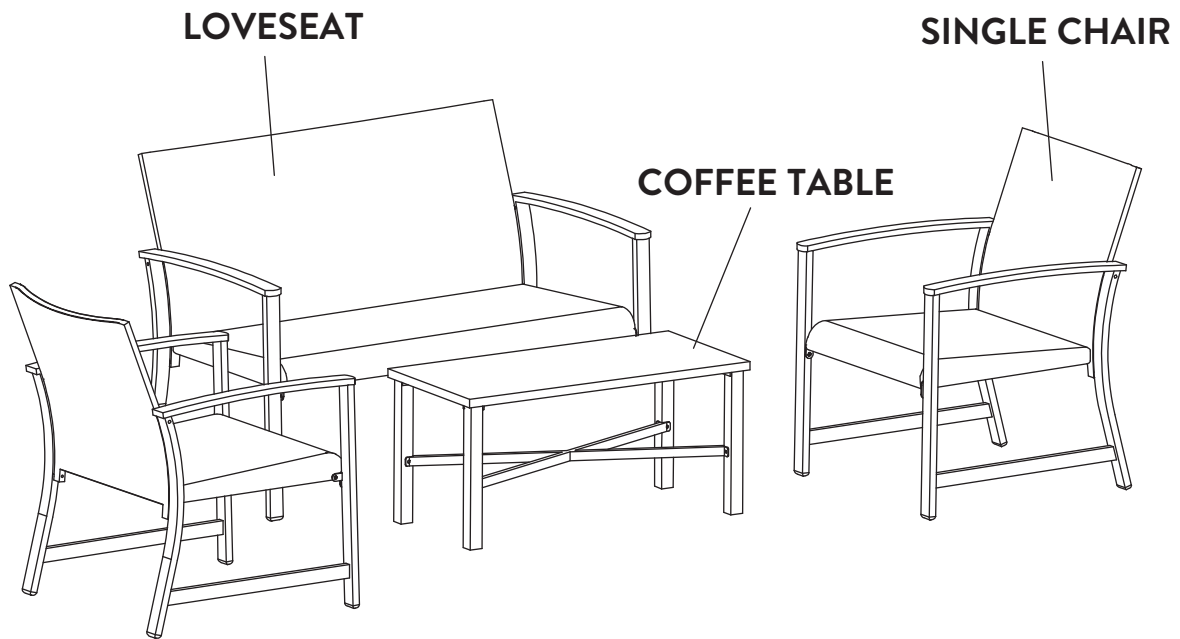
## PRE-ASSEMBLY

- Carefully remove all pieces from the carton and make sure that you have all parts (refer to the hardware and parts content list).  
If you are missing parts, Email: [support@aeoutdoor.com](mailto:support@aeoutdoor.com) for further assistance.
- To avoid scratching your set, please assemble on top of the packaging cardboard or on top of a rug.




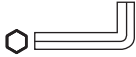

# MODEL DESCRIPTION

SETUP		TOOLS NEEDED
		 Allen key

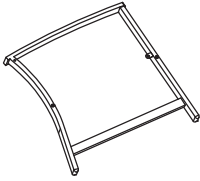
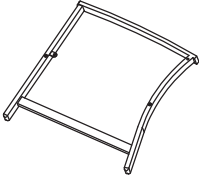
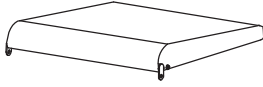
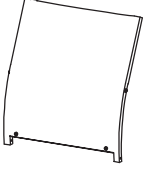
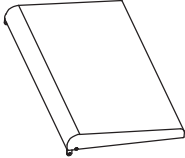
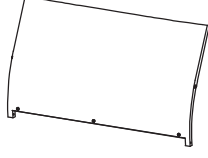
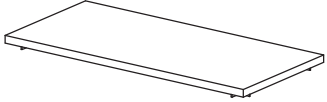
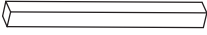
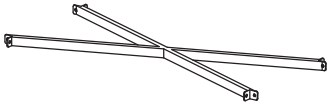
# FINISHED ASSEMBLED PRODUCT



# HARDWARE

PART	DESCRIPTION	PICTURE	QTY	PART	DESCRIPTION	PICTURE	QTY
AA	BOLT(M6X15)		20	DD	BOLT(M6X50)		12
BB	BOLT(M6X20)		8	EE	ALLEN KEY		1
CC	BOLT(M6X40)		7				

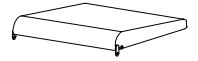
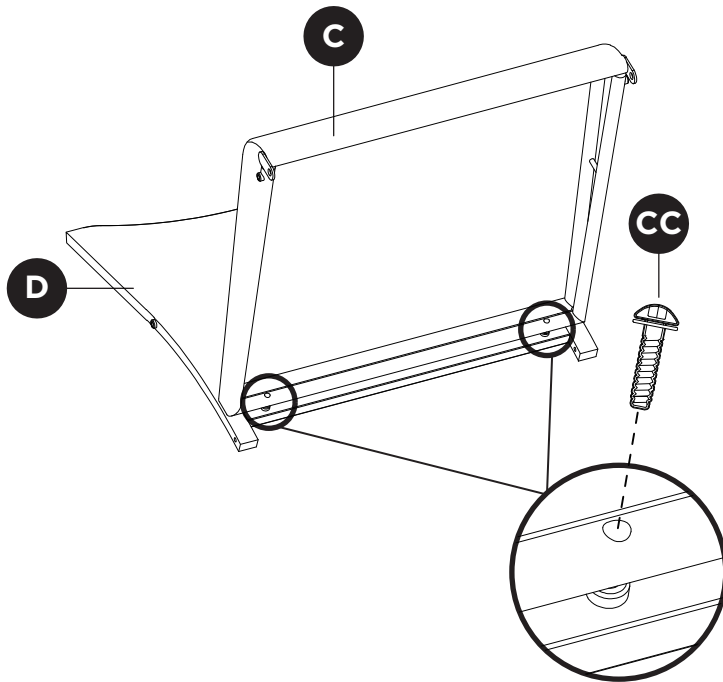
# PARTS DIAGRAM

		
<p><b>A X3</b> Left armrest</p>	<p><b>B X3</b> Right armrest</p>	<p><b>C X2</b> Seat panel of single chair</p>
		
<p><b>D X2</b> Back panel of single chair</p>	<p><b>E X1</b> Seat panel of loveseat</p>	<p><b>F X1</b> Back panel of loveseat</p>
		
<p><b>G X1</b> Table top</p>	<p><b>H X4</b> Table leg</p>	<p><b>I X1</b> Mounting bracket</p>

# ASSEMBLY

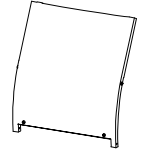
## 1. SINGLE CHAIR

### STEP 1



**C** x1

Seat panel of single chair



**D** x1

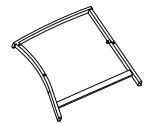
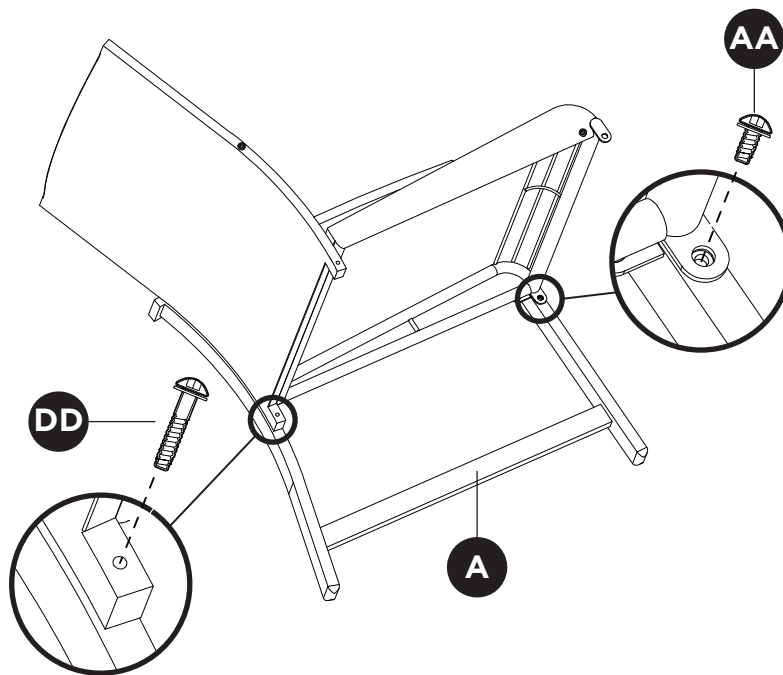
Back panel of single chair



**CC** x2

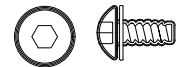
BOLT(M6X40)

### STEP 2



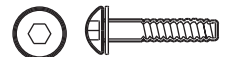
**A** x1

Left armrest



**AA** x1

BOLT(M6X15)



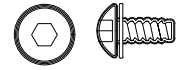
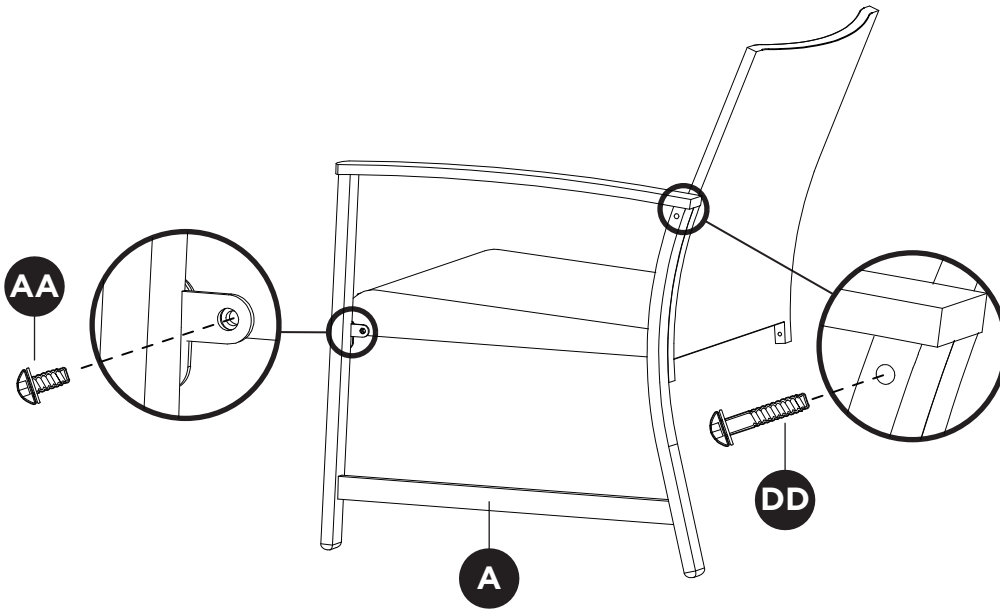
**DD** x1

BOLT(M6X50)

# ASSEMBLY

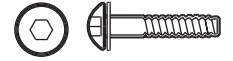
## SINGLE CHAIR

STEP 3



**AA** x1

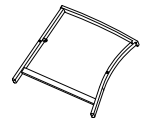
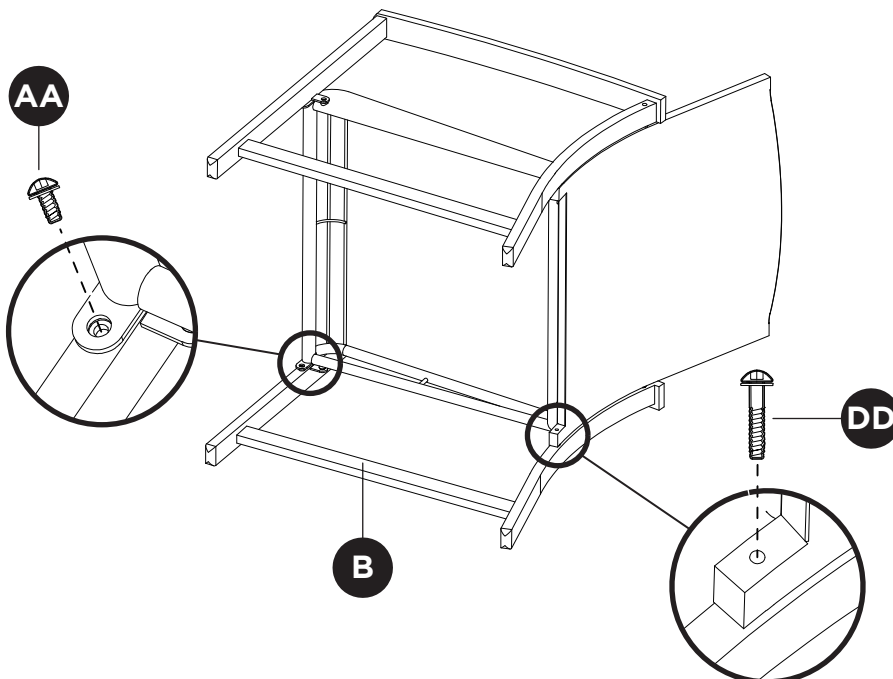
BOLT(M6X15)



**DD** x1

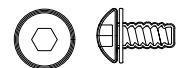
BOLT(M6X50)

STEP 4



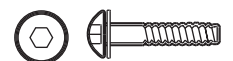
**B** x1

Right armrest



**AA** x1

BOLT(M6X15)



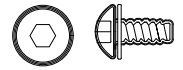
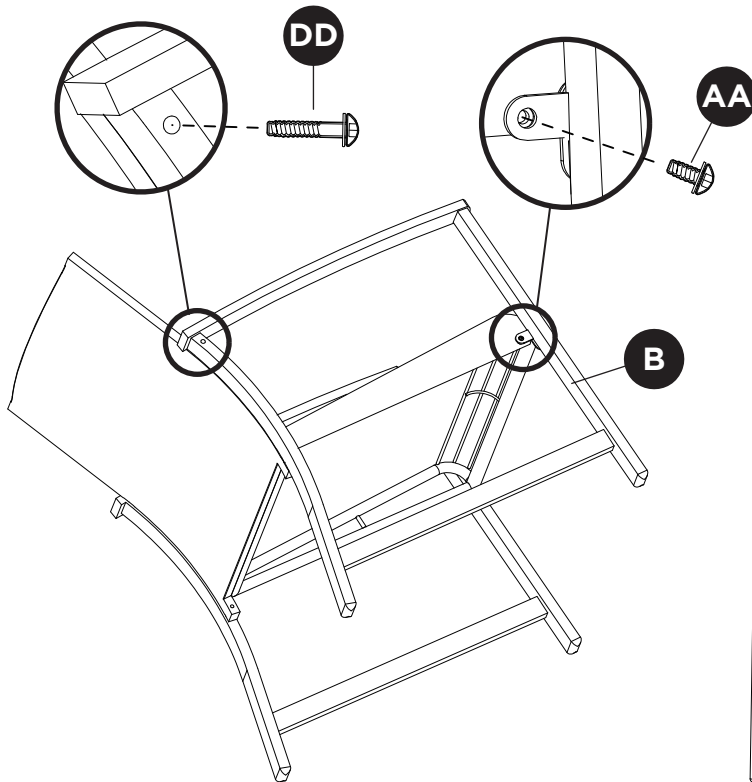
**DD** x1

BOLT(M6X50)

# ASSEMBLY

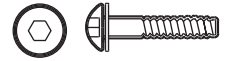
## SINGLE CHAIR

STEP 5



**AA** x1

BOLT(M6X15)

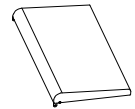
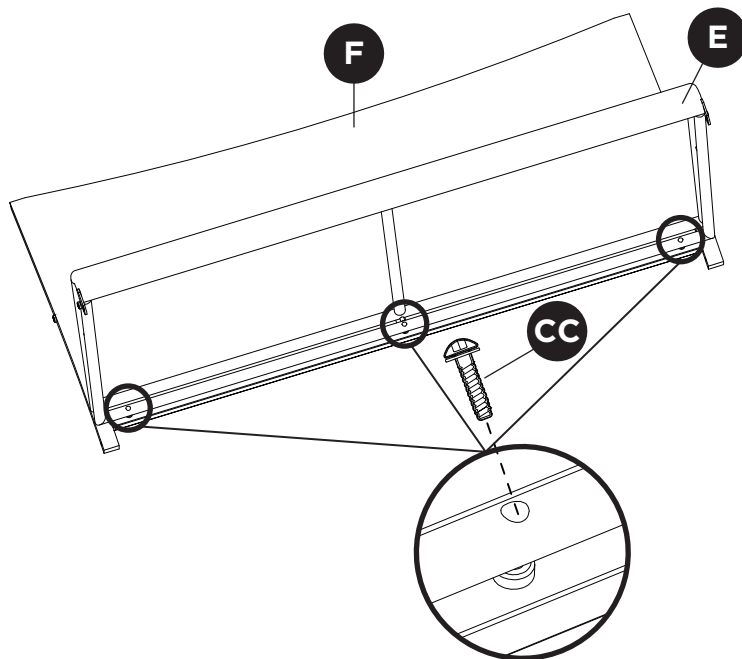


**DD** x1

BOLT(M6X50)

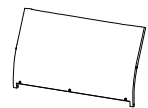
## 2. LOVESEAT

STEP 1



**E** x1

Seat panel of loveseat



**F** x1

Back panel of loveseat



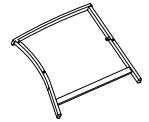
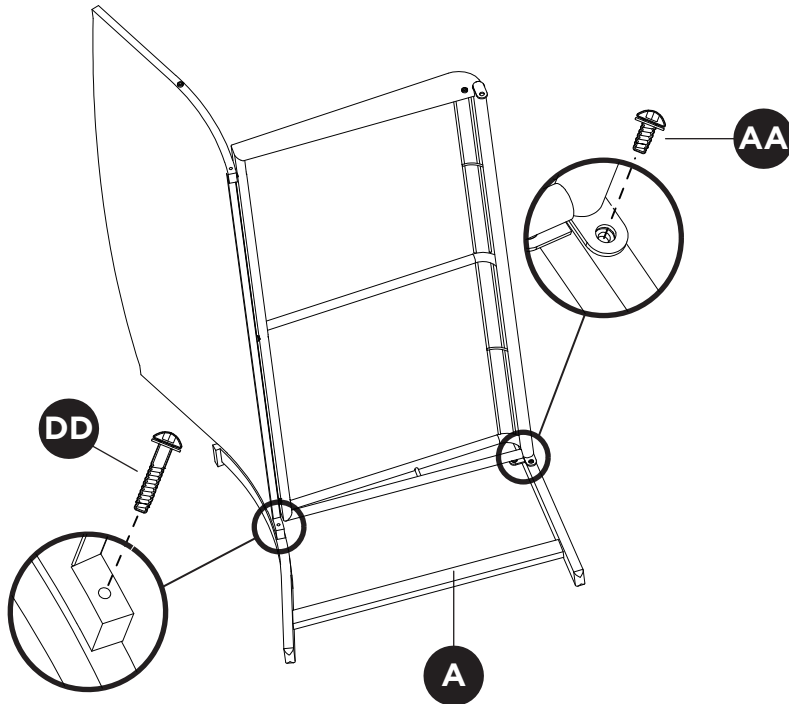
**CC** x3

BOLT(M6X40)

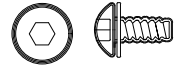
# ASSEMBLY

## LOVESEAT

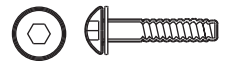
### STEP 2



**A** x1  
Left armrest

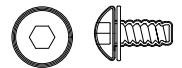
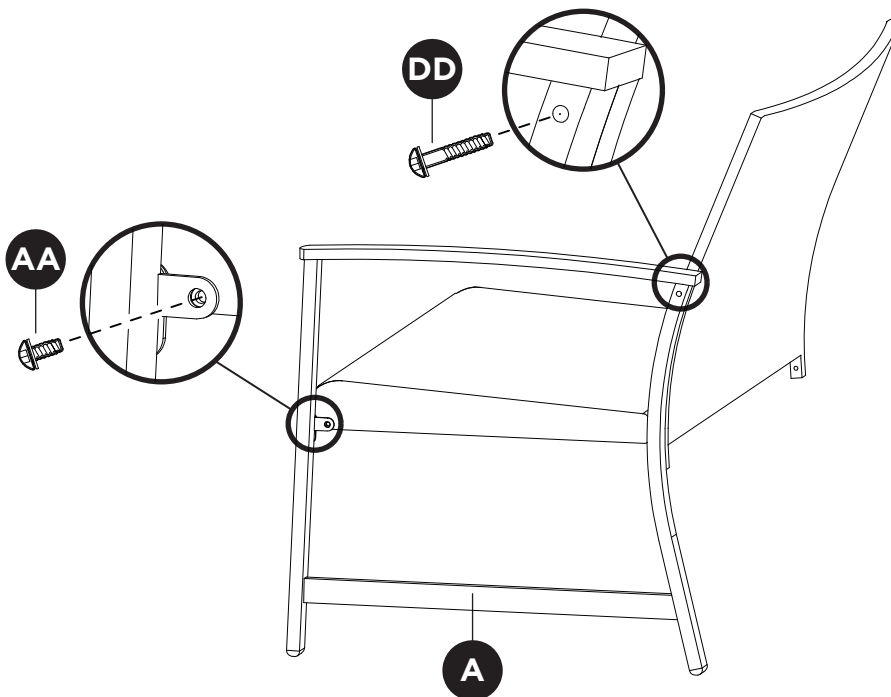


**AA** x1  
BOLT(M6X15)

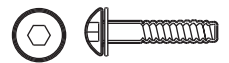


**DD** x1  
BOLT(M6X50)

### STEP 3



**AA** x1  
BOLT(M6X15)

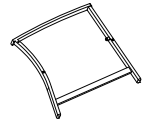
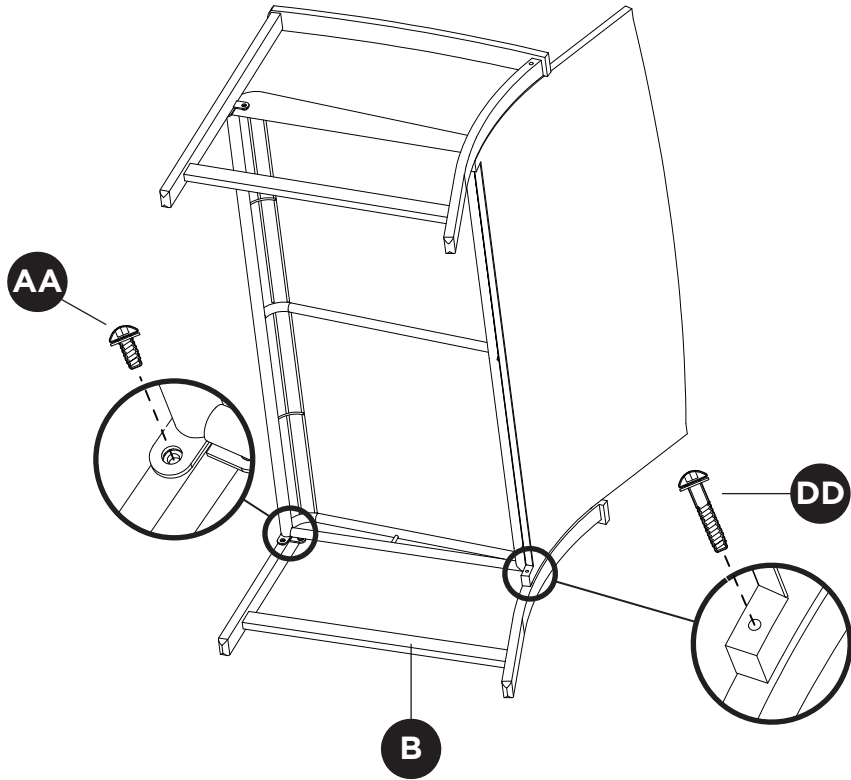


**DD** x1  
BOLT(M6X50)

# ASSEMBLY

## LOVESEAT

STEP 4



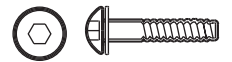
**B** x1

Right armrest



**AA** x1

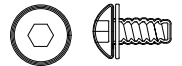
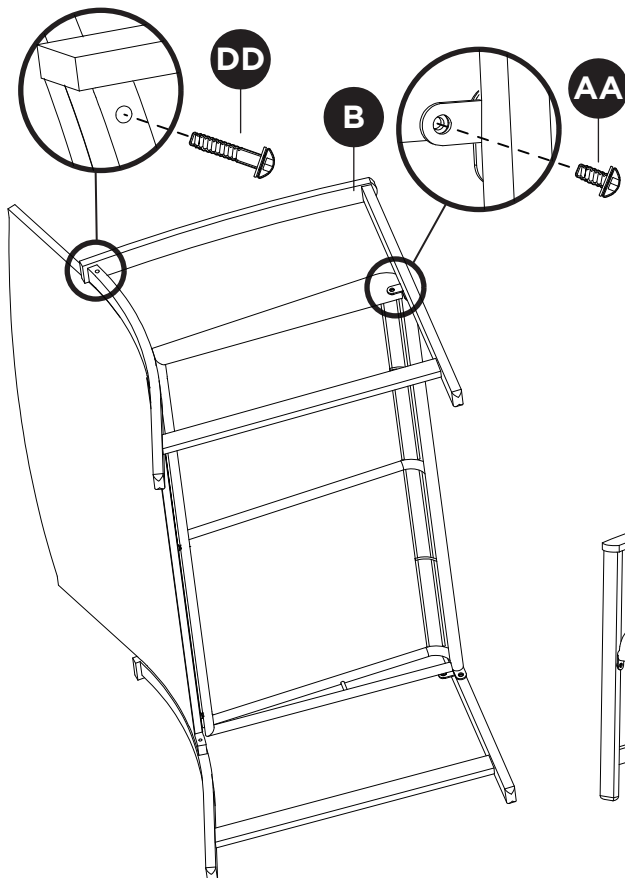
BOLT(M6X15)



**DD** x1

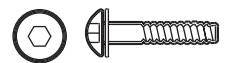
BOLT(M6X50)

STEP 5



**AA** x1

BOLT(M6X15)



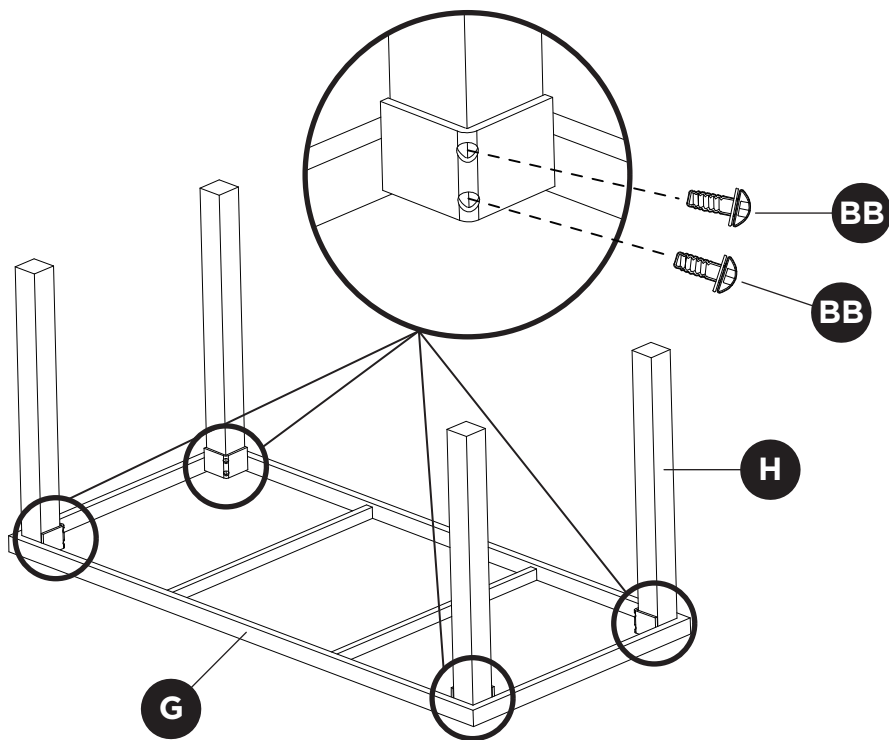
**DD** x1

BOLT(M6X50)

# ASSEMBLY

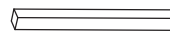
## 3. COFFEE TABLE

STEP 1



**G** x1

Table top



**H** x4

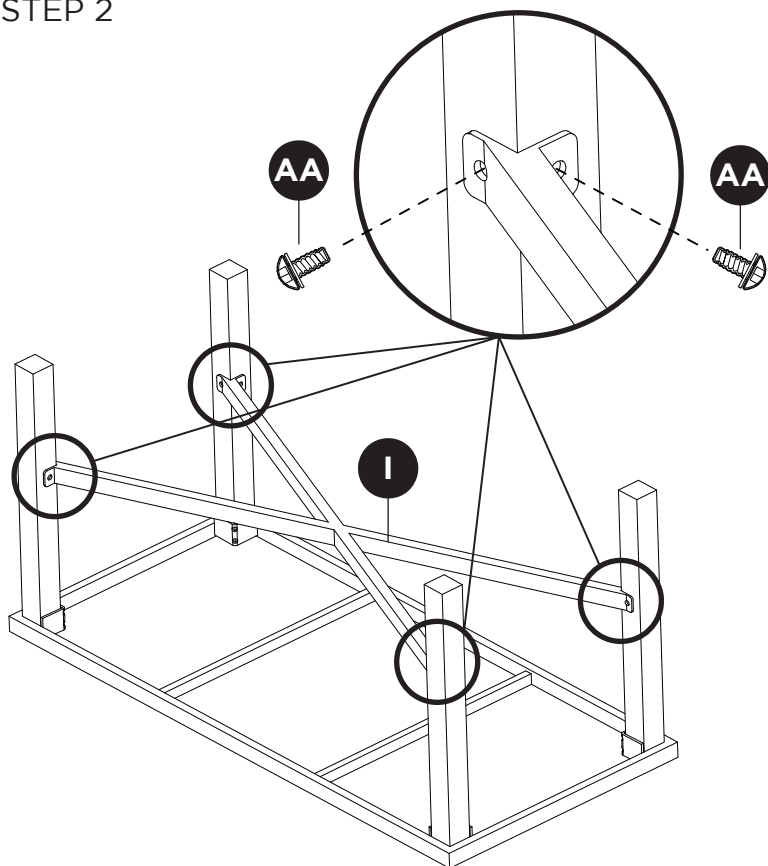
Table leg



**BB** x8

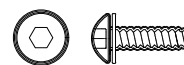
Bolt(M6X20)

STEP 2



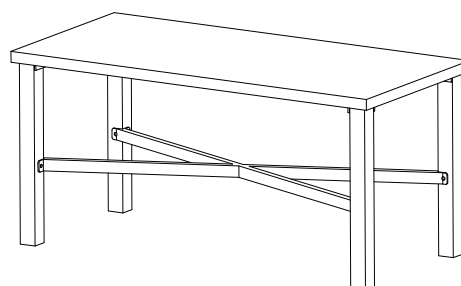
**I** x1

Mounting bracket



**AA** x8

BOLT(M6X15)



## CARE AND MAINTENANCE

- Use a furniture cover when not in use.
- Inspect and tighten all bolts and fasteners on a regular basis to ensure the proper performance and safety of your product.
- In order to prolong the life and beauty of your furniture, we recommend that it be stored in a dry and protected area during off season periods.
- Be careful to never allow water to build up in the frames as this will cause corrosion and freeze damage in cold climates.
- Wash all frames with a solution of mild soap and water. Rinse with clean water and dry with a soft absorbent cloth towel.
- Frames can be treated with a liquid wax for maximum protection against UV rays and/or salty, damp air.
- Do not use bleach or solvents to clean any product!

Should you have any issues, please don't hesitate to contact us.

**Email: [Support@aeoutdoor.com](mailto:Support@aeoutdoor.com)**

