

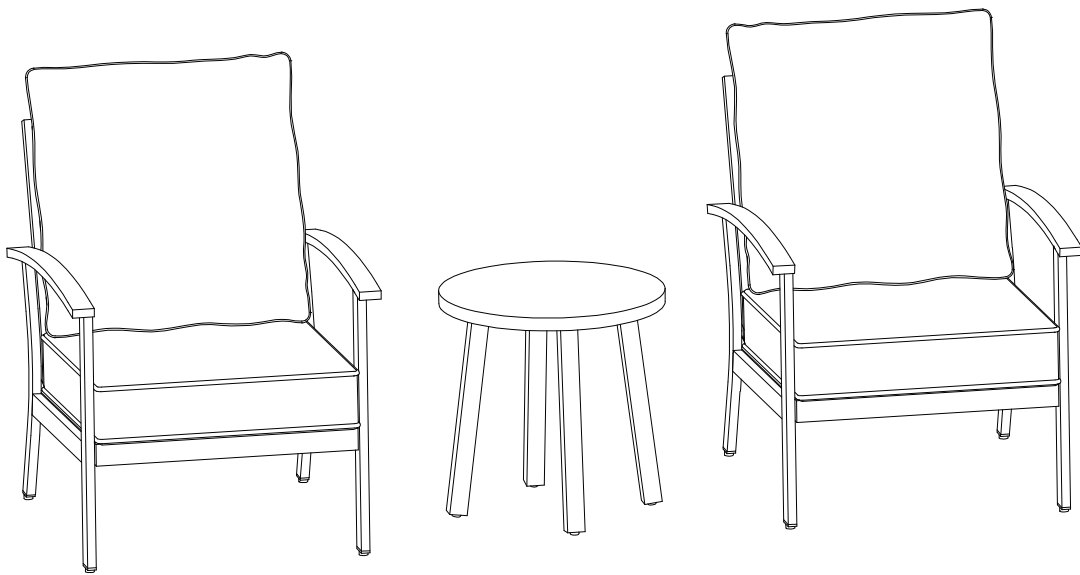


Instruction Manual

# AE OUTDOOR

# 3PC BISTRO SET

Item No. S1100LA



For product assistance &  
missing or replacement parts:  
WE CAN HELP

 [Support@aeoutdoor.com](mailto:Support@aeoutdoor.com)

[www.aeoutdoor.com](http://www.aeoutdoor.com)

## CONTENTS & INFORMATION

<b>Contents &amp; Information</b> .....	2	<b>Parts Diagram</b> .....	4
Safety Precautions .....	2	<b>Assembly</b> .....	5-8
Pre-as Semblly .....	2	Care And Maintenance .....	8
<b>Model Description</b> .....	3	<b>Unpacking Instructions</b> .....	9
Finished Assembled Product			
.....	3		
Hardware .....	3		

## FEATURES

- Soft polyester covered cushions with a weather resistant coating.
- Durable steel frame for a long life.
- Easily assembled with the included instructions

## SAFETY PRECAUTIONS

### **ATTENTION**

#### **Use the correct bolts**

- Use the correct bolts as indicated. Do not tighten any of the bolts until the product is completely assembled.

#### **Do not discard packaging**

- Do not discard any of the packaging until you have checked that you have all of the required parts.



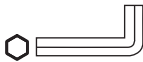
#### **Keep children away during assembly**

- This item contains small parts that can be swallowed by children. Children should always be under direct adult supervision while using this product.
- Retain assembly instructions for future reference.

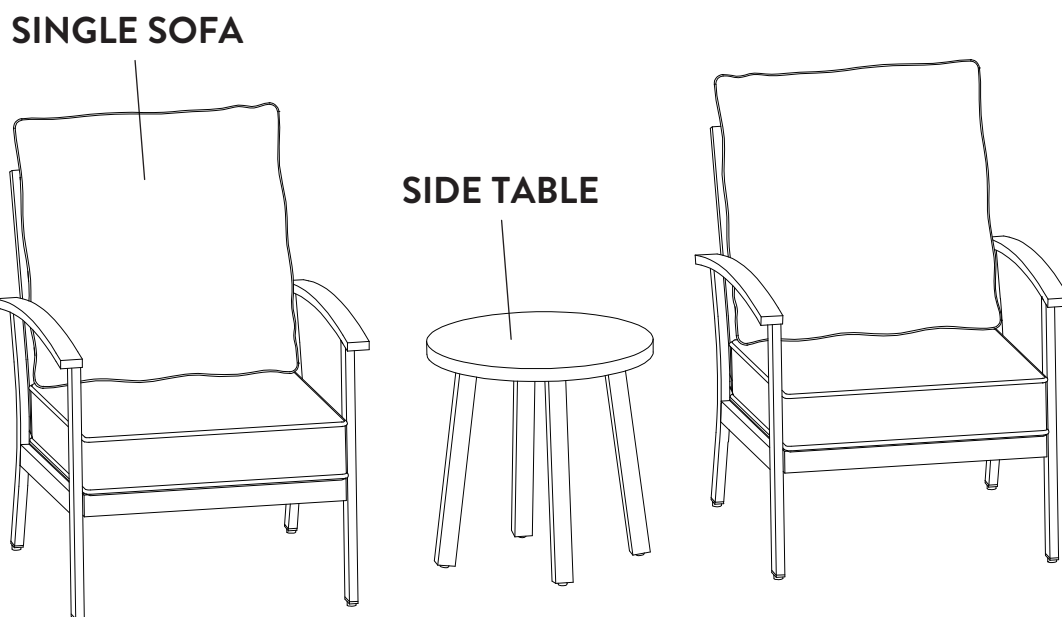
## PRE-ASSEMBLY

- Carefully remove all pieces from the carton and make sure that you have all parts (refer to the hardware and parts content list).  
If you are missing parts, Email: [support@aeoutdoor.com](mailto:support@aeoutdoor.com) for further assistance.
- To avoid scratching your set, please assemble on top of the packaging cardboard or on top of a rug.

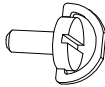
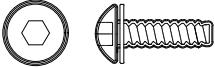
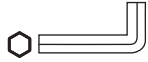
## MODEL DESCRIPTION

SETUP		TOOLS NEEDED
		 Allen key

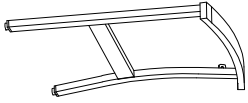
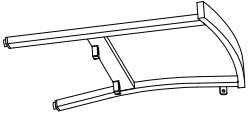



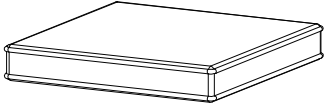
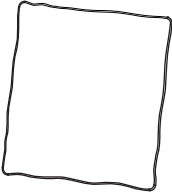
## FINISHED ASSEMBLED PRODUCT



## HARDWARE

PART	DESCRIPTION	PICTURE	QTY
AA	T-SHAPE BOLT (M6X15)		8
BB	BOLT(M6X15)		12
CC	ALLEN KEY		1

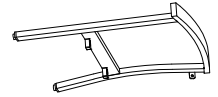
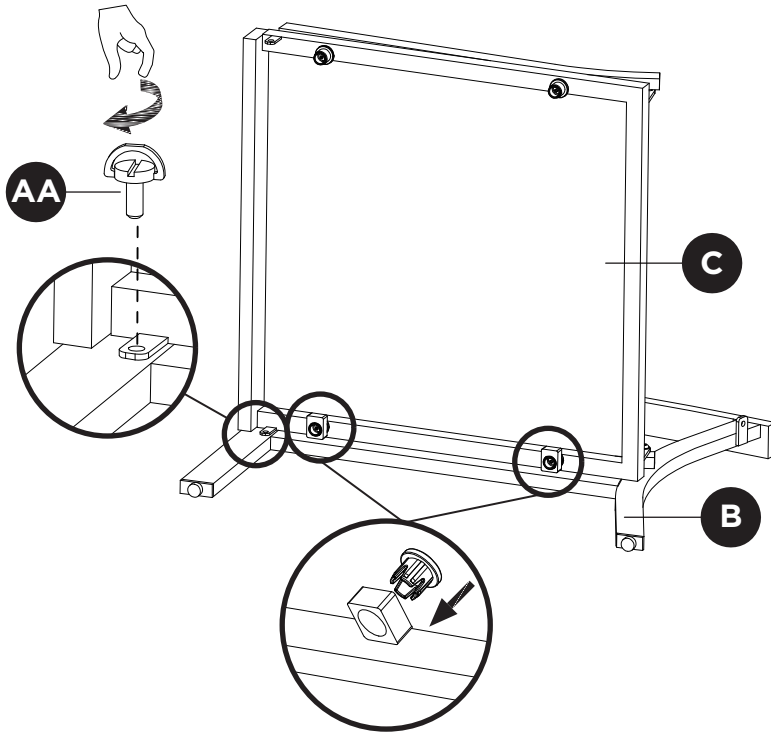
# PARTS DIAGRAM

		
<b>A X2</b> Left armrest	<b>B X2</b> Right armrest	<b>C X2</b> Seat and backrest frame
		
<b>D X1</b> Table top	<b>E X4</b> Table leg	<b>F X2</b> Seat cushion
		
<b>G X2</b> Back cushion		

# ASSEMBLY

## 1. SINGLE SOFA

### STEP 1



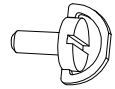
**B** x1

Right armrest



**C** x1

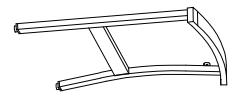
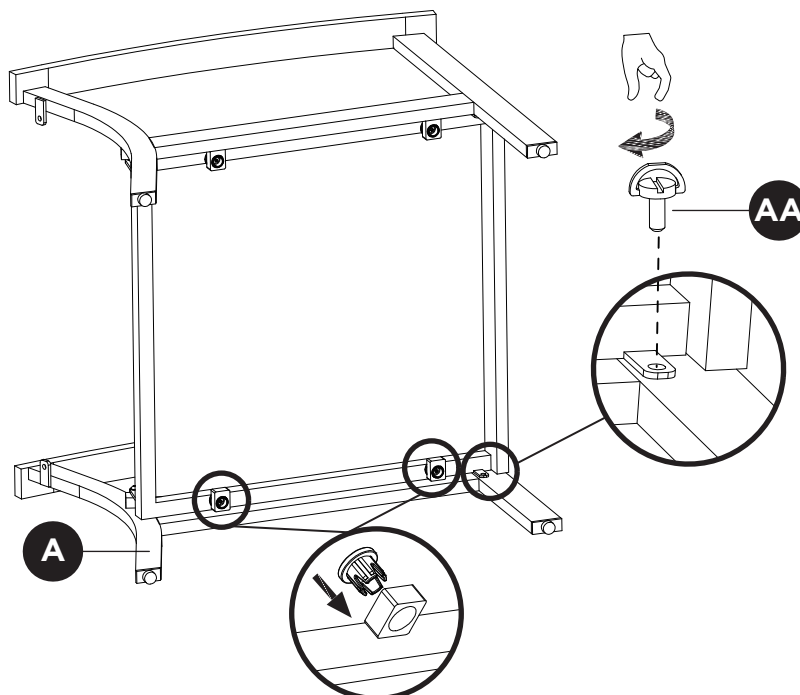
Seat and backrest frame



**AA** x1

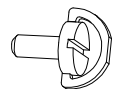
T-shape bolt  
(M6X15)

### STEP 2



**A** x1

Left armrest



**AA** x1

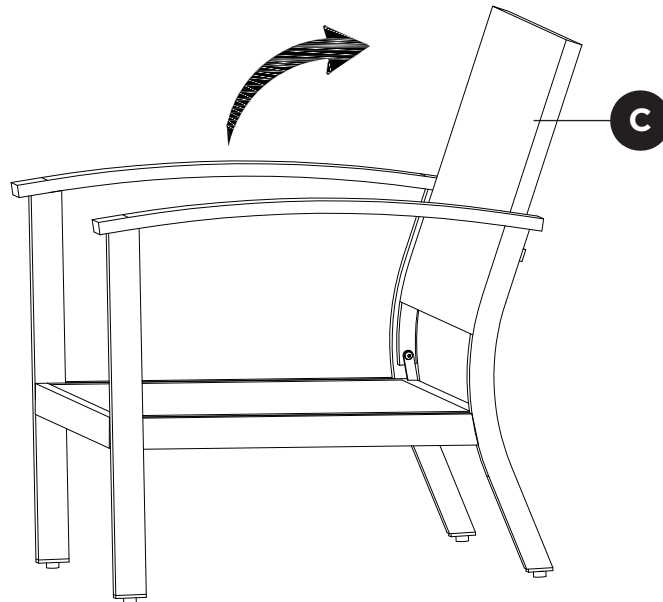
T-shape bolt  
(M6X15)

# ASSEMBLY

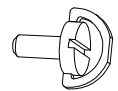
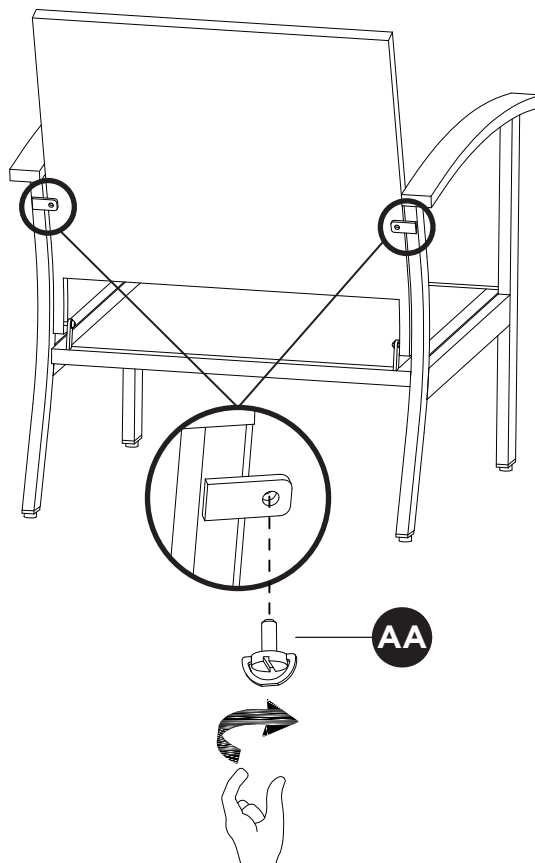
## SINGLE SOFA

### STEP 3

**Note:** Pull up the backrest and recline



### STEP 4

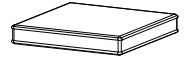
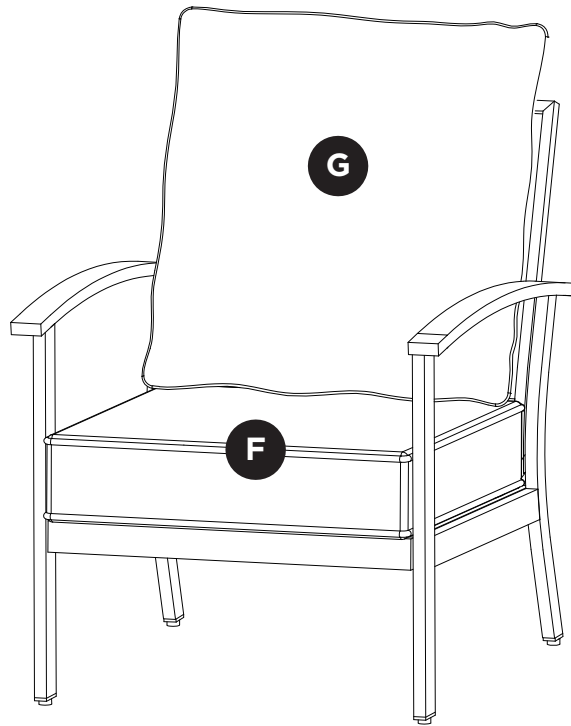


**AA x2**  
T-shape bolt  
(M6X15)

# ASSEMBLY

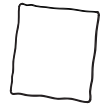
## SINGLE SOFA

STEP 5



**F** x1

Seat cushion

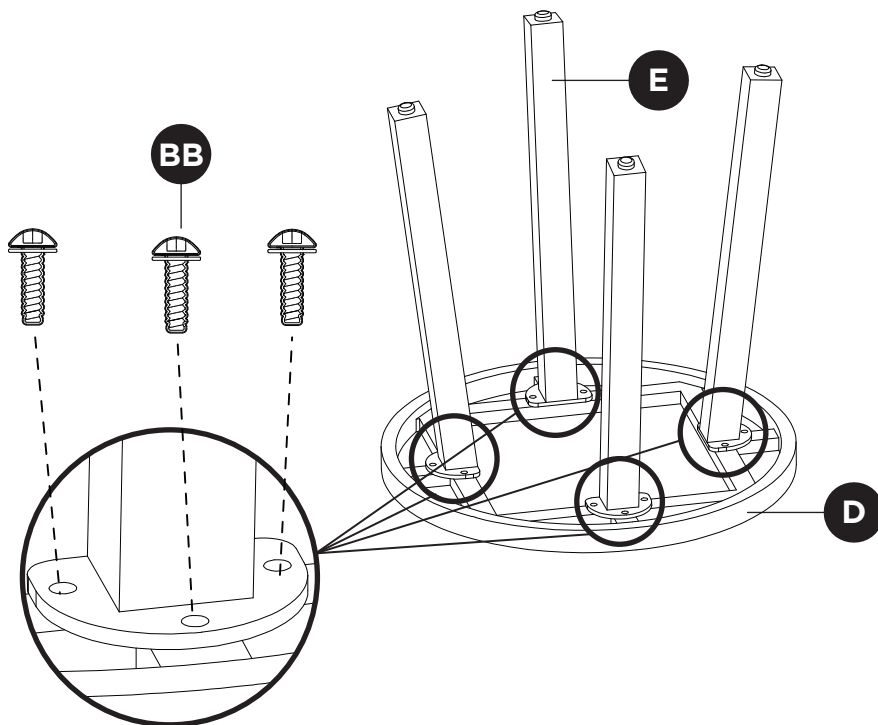


**G** x1

Back cushion

## SIDE TABLE

STEP 1



**D** x1

Table top



**E** x4

Table leg



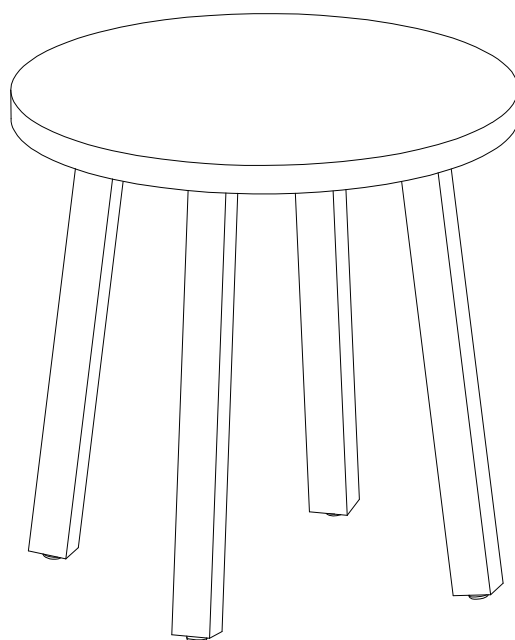
**BB** x12

Bolt(M6X15)

## ASSEMBLY

### SIDE TABLE

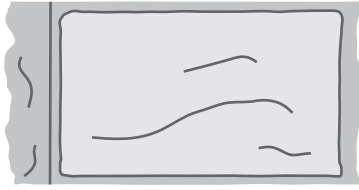
#### STEP 2



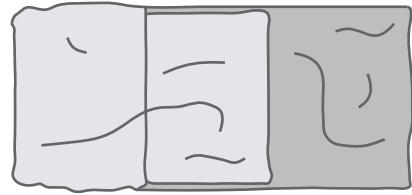
## CARE AND MAINTENANCE

- Use a furniture cover when not in use.
- Inspect and tighten all bolts and fasteners on a regular basis to ensure the proper performance and safety of your product.
- In order to prolong the life and beauty of your furniture, we recommend that it be stored in a dry and protected area during off season periods.
- Be careful to never allow water to build up in the frames as this will cause corrosion and freeze damage in cold climates.
- Wash all frames with a solution of mild soap and water. Rinse with clean water and dry with a soft absorbent cloth towel.
- Frames can be treated with a liquid wax for maximum protection against UV rays and/or salty, damp air.
- Never machine wash cushions, as this will result in shrinkage or damage.
- If your set includes cushions, they may be cleaned by hand with mild soap and water, and rinsed off with clean water.
- After cleaning, leave the cushions upright to allow water to drip and dry. (Never use a commercial or home dryer to dry fabric).
- Do not use bleach or solvents to clean any product!
- Back cushion maintenance: Fluff in cool air dryer (20 min max). Applies exclusively to back cushions.

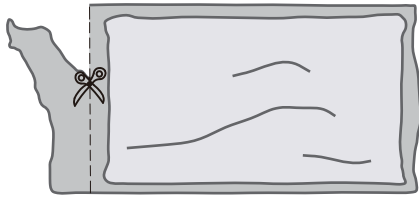
# UNPACKING INSTRUCTIONS



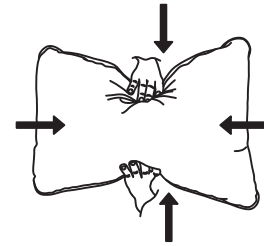
1. Cushion is vacuum packed / flat and compressed.



3. Remove the cushion from the bag.



2. Carefully cut the plastic cover along the edge to remove the cushion. Make sure you do not cut the cushion.



4. Re-fluff lightly with hands. The cushion will return to its full size in a few hours.

Should you have any issues, please don't hesitate to contact us.

**Email: [Support@aeoutdoor.com](mailto:Support@aeoutdoor.com)**