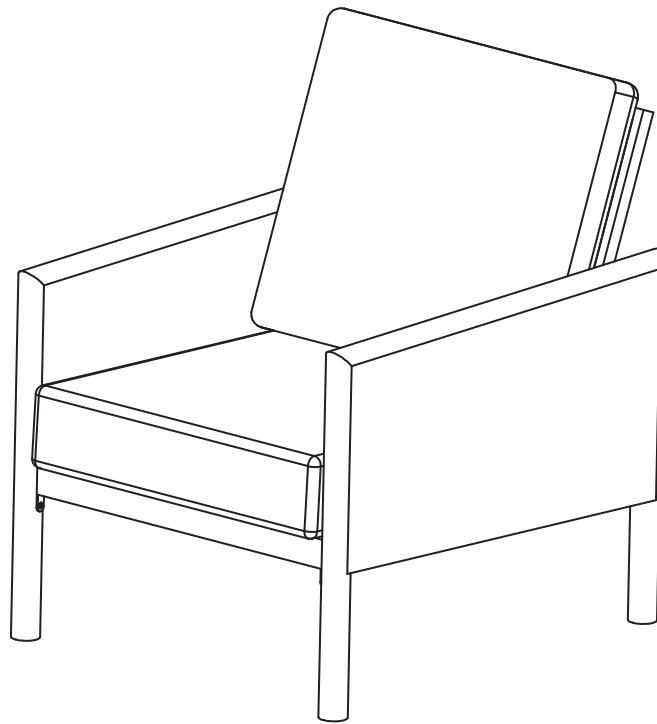




Instruction Manual

AE OUTDOOR 1PC SINGLE SOFA

Item No. DQ1094L



For product assistance &
missing or replacement parts:
WE CAN HELP

 Support@aeoutdoor.com

www.aeoutdoor.com

CONTENTS & INFORMATION

Contents & Information	2	Parts Diagram	4
Safety Precautions	2	Assembly	4-6
Pre-as Sembly	2	Care And Maintenance	7
Model Description	3	Unpacking Instructions ...	7
Finished Assembled Product			
.....	3		
Hardware	3		

FEATURES

- Soft polyester covered cushions with a weather resistant coating.
- Durable steel frame for a long life.
- Easily assembled with the included instructions

SAFETY PRECAUTIONS

ATTENTION

Use the correct bolts

- Use the correct bolts as indicated. Do not tighten any of the bolts until the product is completely assembled.

Do not discard packaging

- Do not discard any of the packaging until you have checked that you have all of the required parts.



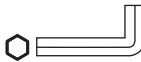
Keep children away during assembly

- This item contains small parts that can be swallowed by children. Children should always be under direct adult supervision while using this product.
- Retain assembly instructions for future reference.

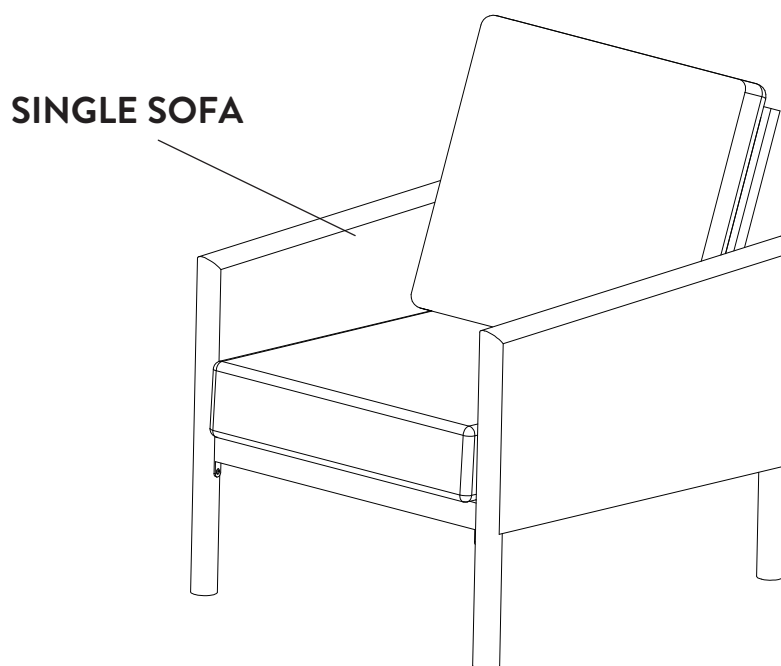
PRE-ASSEMBLY

- Carefully remove all pieces from the carton and make sure that you have all parts (refer to the hardware and parts content list).
If you are missing parts, Email: support@aeoutdoor.com for further assistance.
- To avoid scratching your set, please assemble on top of the packaging cardboard or on top of a rug.

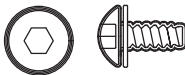

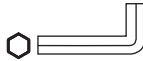
MODEL DESCRIPTION

SETUP		TOOLS NEEDED
		 Allen key

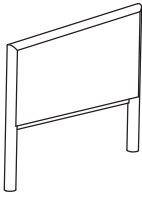
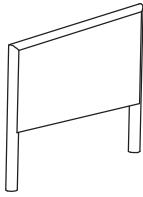

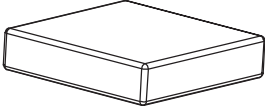
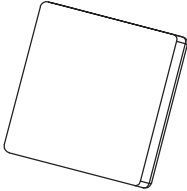
FINISHED ASSEMBLED PRODUCT



HARDWARE

PART	DESCRIPTION	PICTURE	QTY
AA	BOLT(M6X15)		2
BB	BOLT(M6X40)		6
CC	ALLEN KEY		1

PARTS DIAGRAM

		
A X1 Right armrest	B X1 Left armrest	C X1 Seat and backrest frame
		
D X1 Seat cushion	E X1 Back cushion	

ASSEMBLY

1. SINGLE SOFA

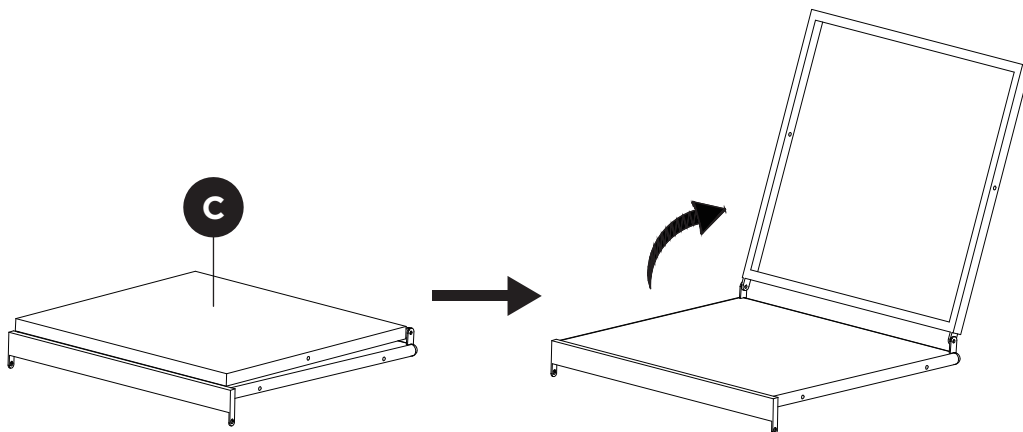
STEP 1

Note: Pull up the backrest and recline



C x1

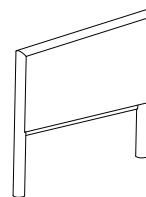
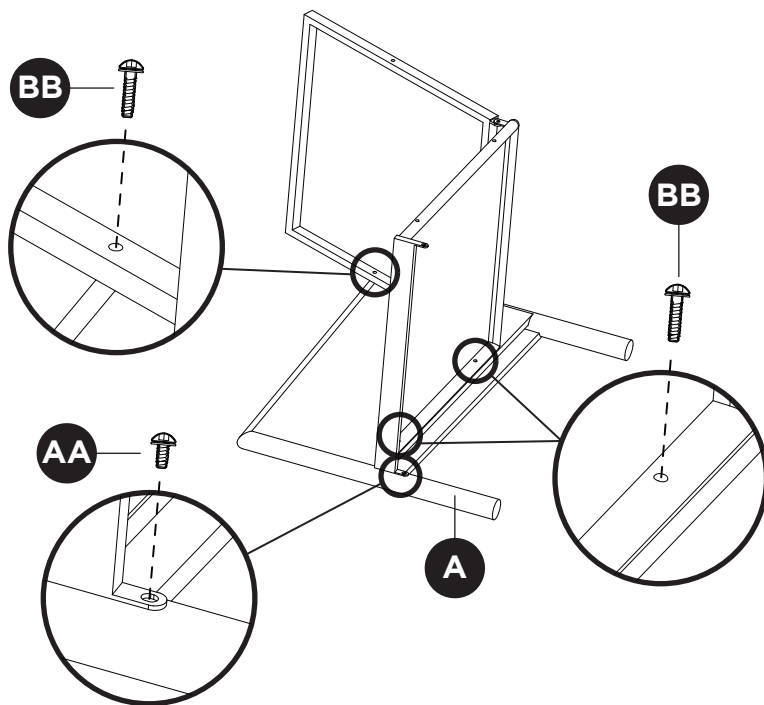
Seat and backrest frame



ASSEMBLY

SINGLE SOFA

STEP 2



A x1

Right armrest



AA x1

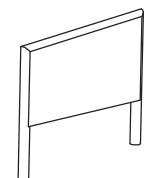
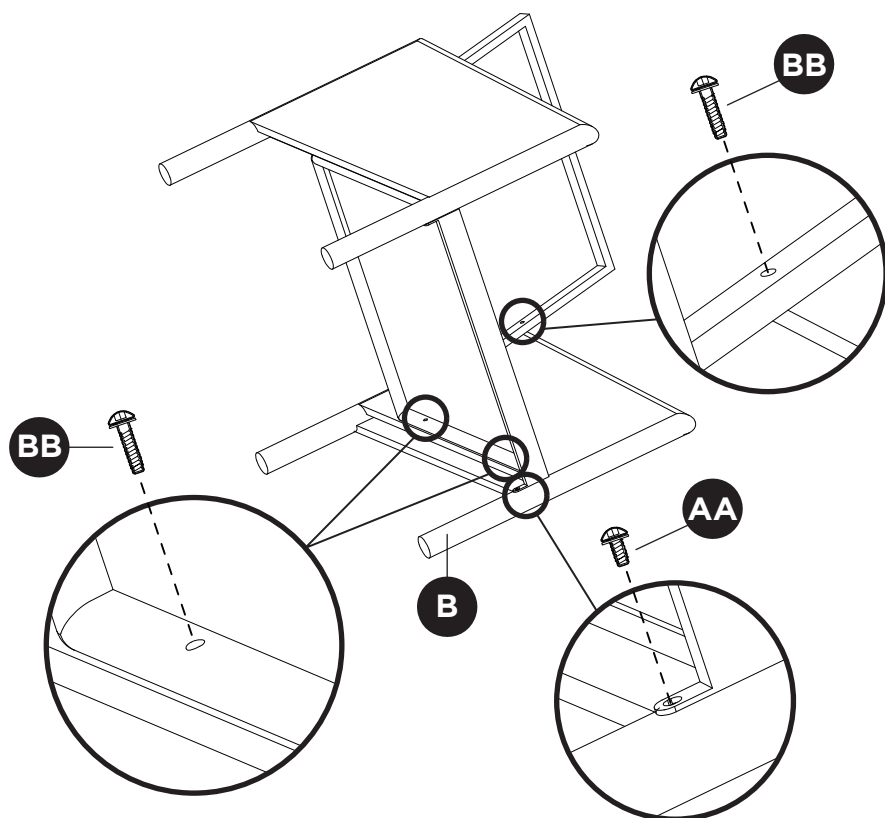
Bolt(M6X15)



BB x3

Bolt(M6X40)

STEP 3



B x1

Left armrest



AA x1

Bolt(M6X15)



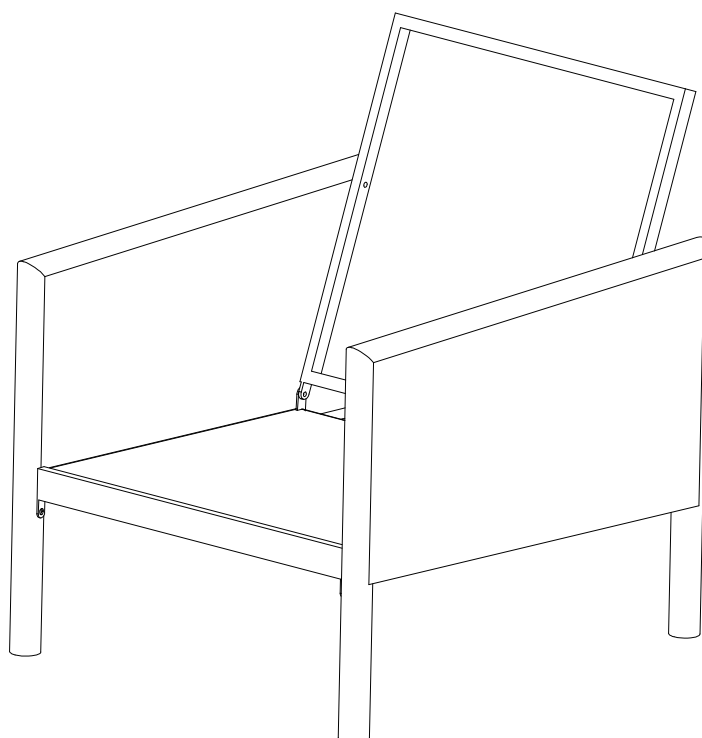
BB x3

Bolt(M6X40)

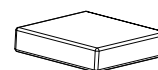
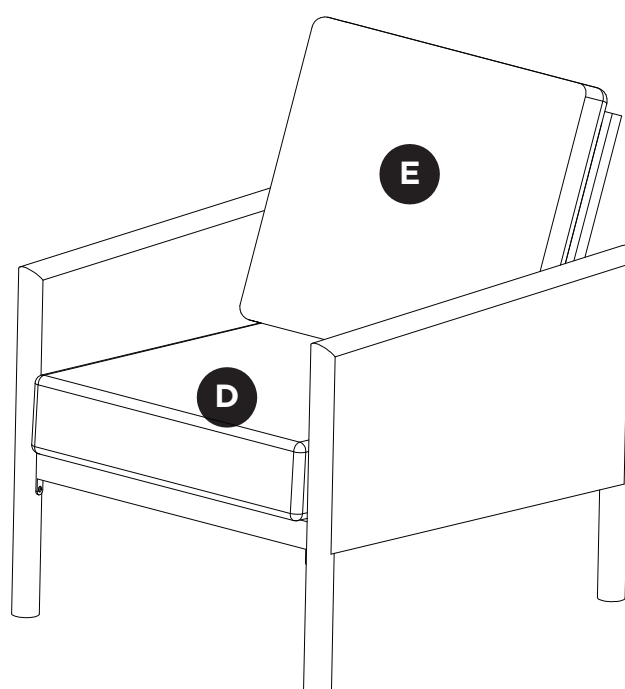
ASSEMBLY

SINGLE SOFA

STEP 4

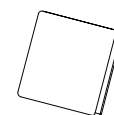


STEP 5



D x1

Seat cushion



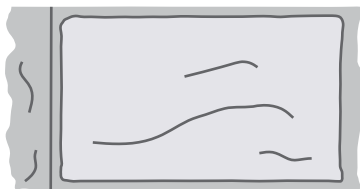
E x1

Back cushion

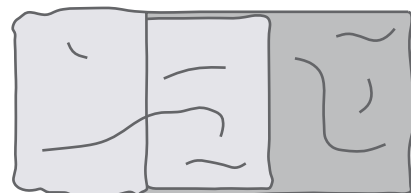
CARE AND MAINTENANCE

- Use a furniture cover when not in use.
- Inspect and tighten all bolts and fasteners on a regular basis to ensure the proper performance and safety of your product.
- In order to prolong the life and beauty of your furniture, we recommend that it be stored in a dry and protected area during off season periods.
- Be careful to never allow water to build up in the frames as this will cause corrosion and freeze damage in cold climates.
- Wash all frames with a solution of mild soap and water. Rinse with clean water and dry with a soft absorbent cloth towel.
- Frames can be treated with a liquid wax for maximum protection against UV rays and/or salty, damp air.
- Never machine wash cushions, as this will result in shrinkage or damage.
- If your set includes cushions, they may be cleaned by hand with mild soap and water, and rinsed off with clean water.
- After cleaning, leave the cushions upright to allow water to drip and dry. (Never use a commercial or home dryer to dry fabric).
- Do not use bleach or solvents to clean any product!
- Back cushion maintenance: Fluff in cool air dryer (20 min max). Applies exclusively to back cushions.

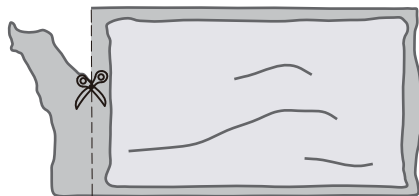
UNPACKING INSTRUCTIONS



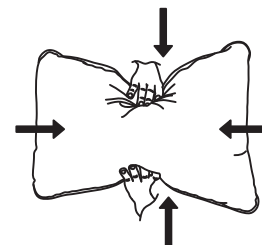
- 1.** Cushion is vacuum packed / flat and compressed.



- 3.** Remove the cushion from the bag.



- 2.** Carefully cut the plastic cover along the edge to remove the cushion. Make sure you do not cut the cushion.



- 4.** Re-fluff lightly with hands. The cushion will return to its full size in a few hours.

Should you have any issues, please don't hesitate to contact us.

Email: Support@aeoutdoor.com



AE OUTDOOR.
www.aeoutdoor.com